

World-Band (2G/3G/4G) Cellular Omni-Directional Flat 3 dB Swivel Antenna

Model: ANT-120-002

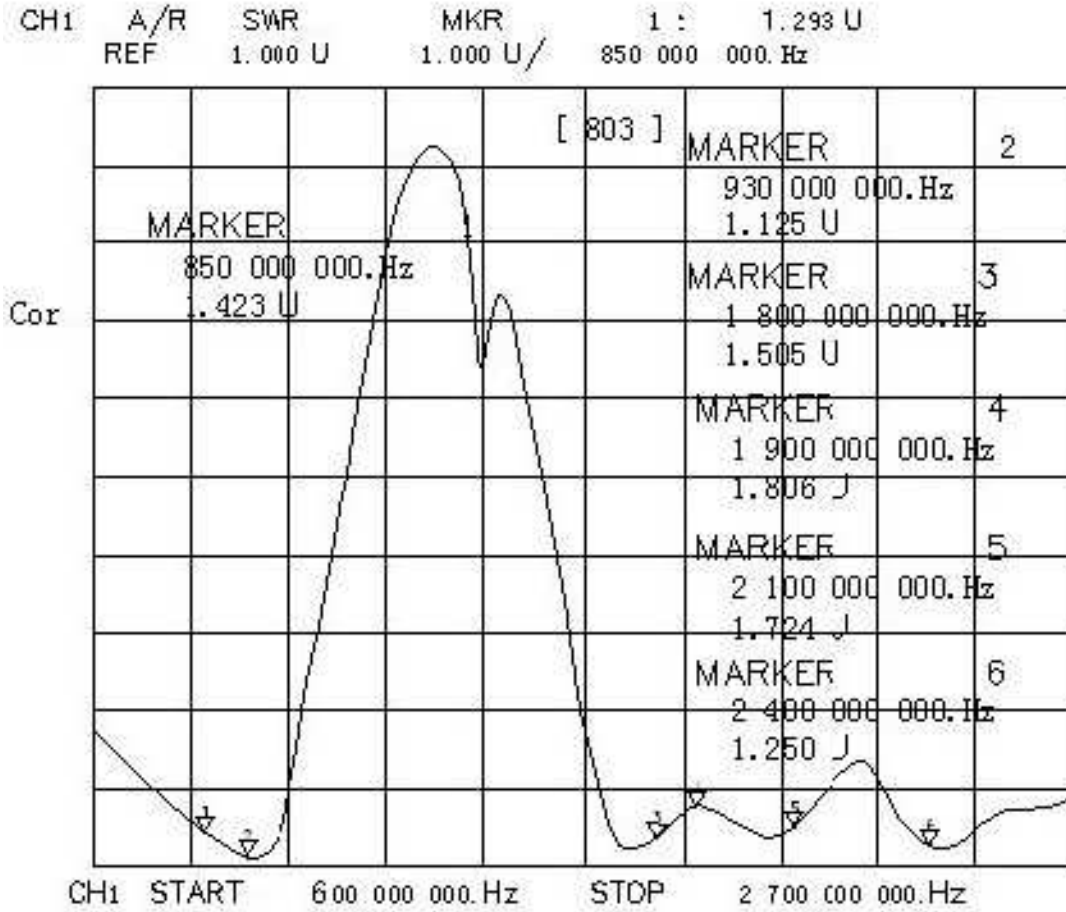


Technical Specifications

Frequency Range	698~960/1710~2170/2500~2700 MHz
Gain	3 dB
VSWR	≤ 2.0:1
Input Impedance	50ohm
Polarization Type	Vertical
Max Input power	20 W
Max diameter	10 mm
Min diameter	8 mm
Antenna Length	130 mm
Connector Type	SMA Male
Antenna Color	Black
Storage Temperature	-30°C to +75°C

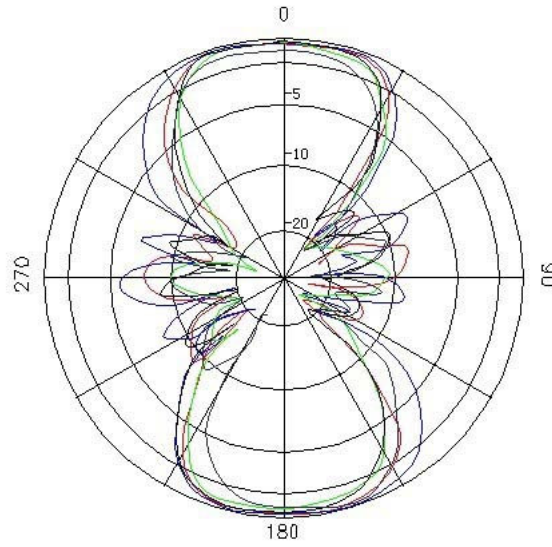
Model: ANT-120-002

Characteristic Curve

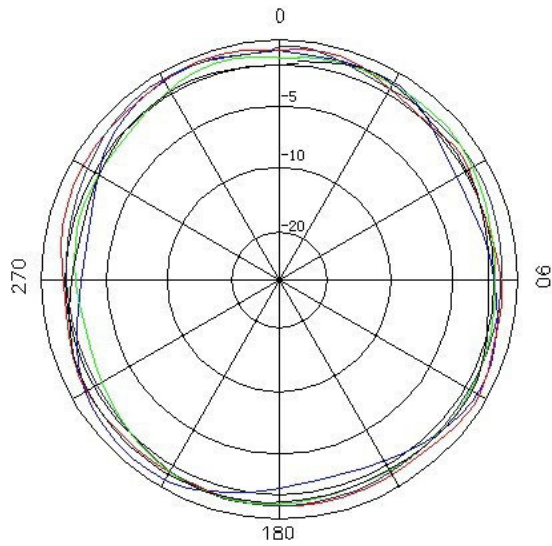


Model: ANT-120-002

Radiation Pattern



垂直面方向图
Vertical Pattern



水平面方向图
Horizontal Pattern

- 850MHz
- 930MHz
- 1800MHz
- 1900MHz
- 2100MHz

Model: ANT-120-002

Mechanical Specifications (mm)

