

# ANT-120-007

## 5 dBi Omni-Directional 3G/4G/LTE Paddle Antenna



### Applications

- Direct Replacement for Low Gain Antennas included with many Cellular Products
- 3G/4G/LTE Routers & Modems
- Cellular Amplifiers
- Optional Magnetic Base



### Product Features

- Compatible with most Cellular Modems/Routers
- Compatible with all 3G/4G/LTE Networks
- 3 – 5 dBi Peak Gain
- Omni-Directional
- Integrated SMA Male Connector
- Swivels 90° & Rotates 360°
- No Ground Plane Required

### Ordering Information

Part No.	Description
ANT-120-007	Universal Wide-Band 5 dBi Omni-Directional 3G/4G/LTE Paddle Swivel Antenna
ANT-120-007-2PK	2 Pack of Identical Antennas
ANT-120-007-MAG	1 Antenna + 1 Magnetic Base + 10 ft Coax w/ SMA Male Connector (ANT-120-MB3)

### General Description

The Proxicast Flat Swivel Paddle Antenna is a high-efficiency mid-gain 3G/4G/GPS omni-directional antenna. The "rubber-duck" style antenna is an 7.7 inch (196 mm) omni-directional antenna that provides up to 5 dBi of gain and supports all 2G, 3G and 4G/LTE/xLTE/AWS frequency bands (700-2700 MHz) used by U.S. and Canadian cellular carriers such as Verizon Wireless, AT&T Wireless, T-Mobile, Rogers, Bell Mobility and Telus as well as most other cellular operators worldwide.

This antenna also covers the GPS frequency (1575 MHz) and can be used as a passive GPS antenna or as a multiplexed cellular + GPS antenna.

The polycarbonate antenna swivels 90 degrees and rotates 360 degrees for optimal positioning and maximum signal reception and has an integrated SMA male plug connector and ground-plane. This antenna is a smart choice for mobile or stationary applications where extra gain is required.

Compatible with all SMA-based equipment including modems and routers from Cisco, Cradlepoint, Digi, Pepwave, Proxicast, Sierra Wireless, Sixnet/Red Lion and many others.

For MIMO applications use 2 identical antennas.

Compatible with Proxicast's 3-inch SMA Magnetic Antenna Base (ANT-120-MB3).

# ANT-120-007

## 5 dBi Omni-Directional 3G/4G/LTE Paddle Antenna



### Electrical Specifications

Parameter	Rating
Frequency Range	700-2700 MHz includes all 2G, 3G, 4G, LTE Bands
Gain	3 – 5 dBi
VSWR	≤ 3.0:1
Input Impedance	50 Ohm
Polarization	Vertical
Max Input Power	50 W
DC Grounded	No
Ground Plane	Not Required

### Mechanical Specifications

Parameter	Rating
Connector Type	SMA Male (plug)
Length	7.72 inches / 196 mm
Width	1.5 inches / 38 mm
Weight	1.45 oz / 41 g
Materials	Polycarbonate / Brass - RoHS compliant
Antenna Color	Black
Operating Temperature	-40°C to +60°C

Operation of this device outside the parameter ranges given above may cause permanent damage.

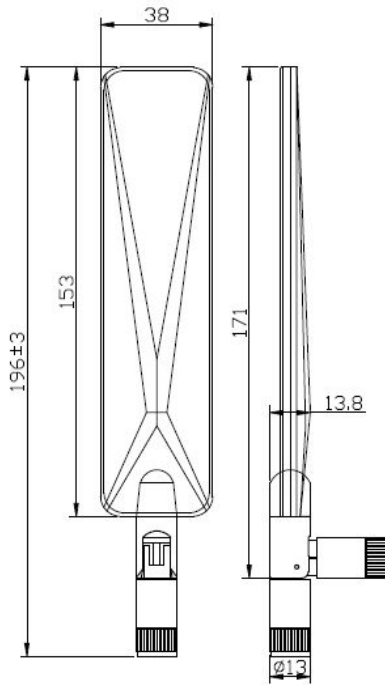
# ANT-120-007

5 dBi Omni-Directional 3G/4G/LTE Paddle Antenna



## Mechanical Dimensions

Dimensions in millimeters



## Additional Product Images



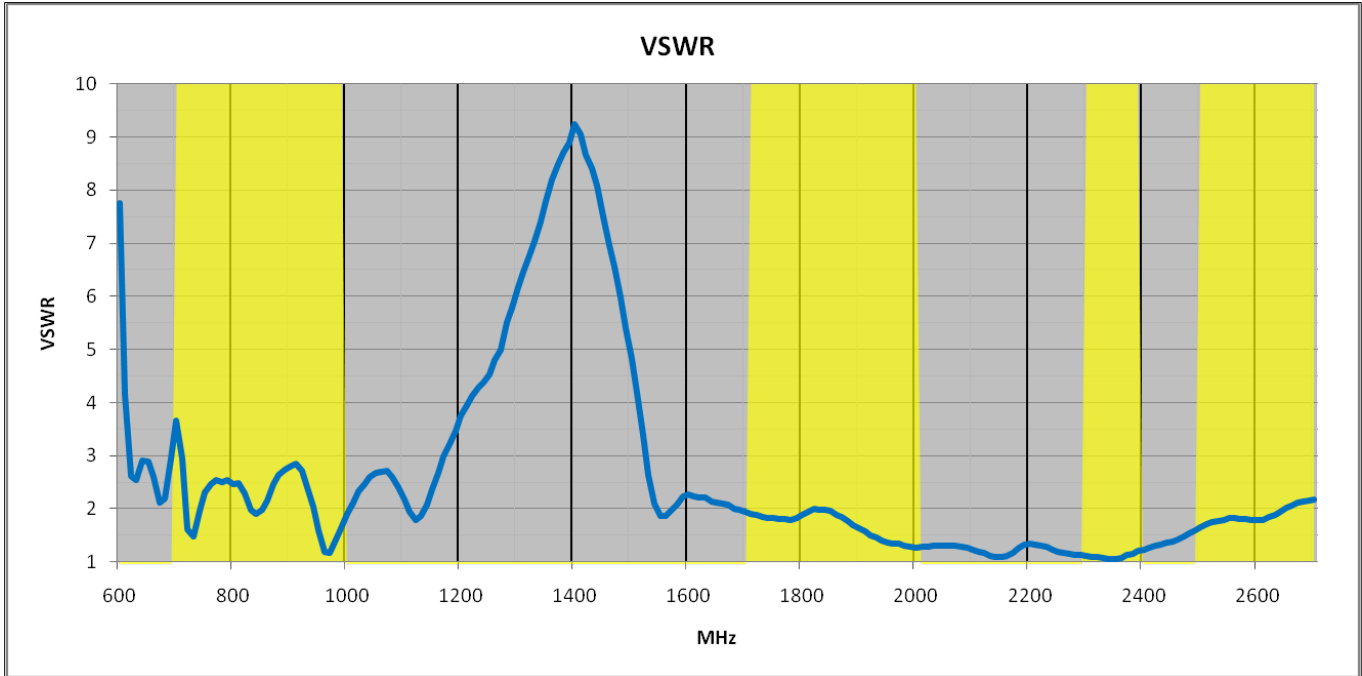
# ANT-120-007

5 dBi Omni-Directional 3G/4G/LTE Paddle Antenna

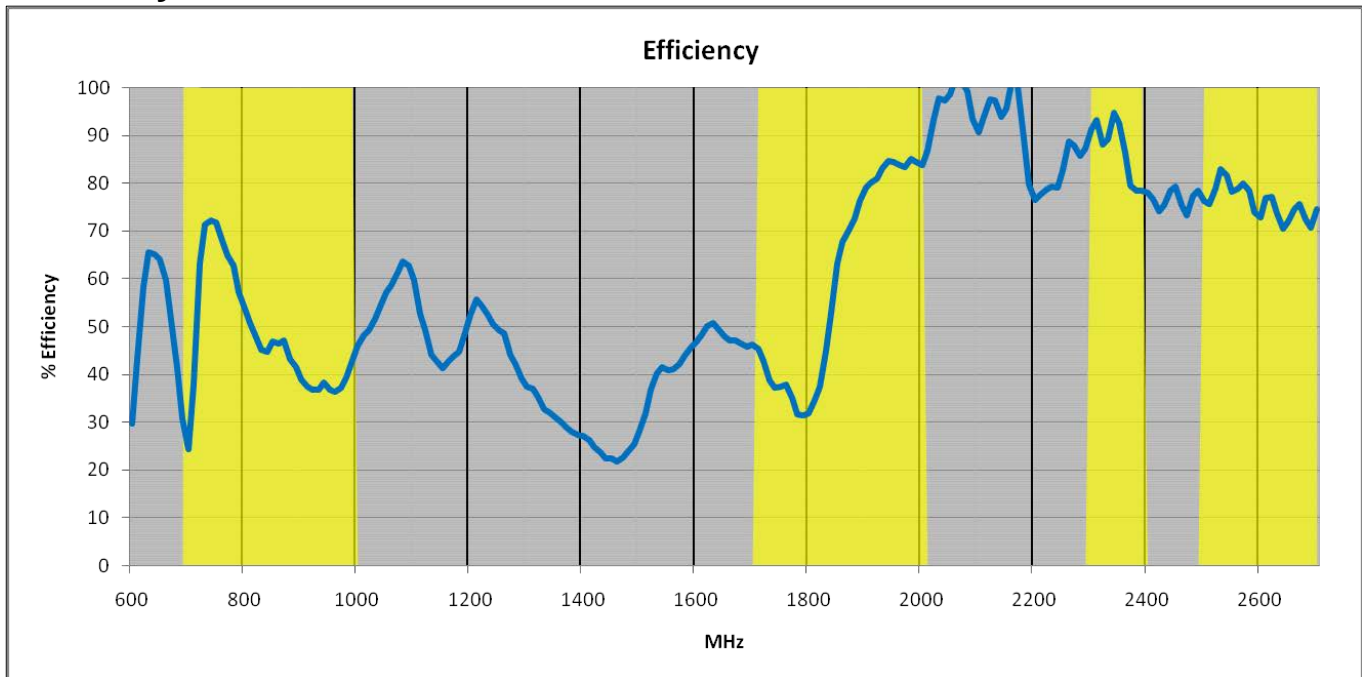


## Electrical Characteristics

### VSWR



### Efficiency



Highlighted areas represent the primary 3G/4G/LTE frequency bands.

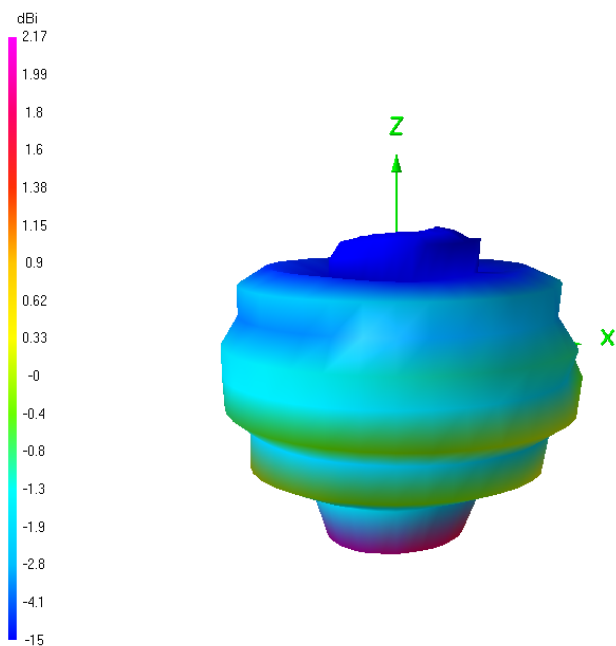
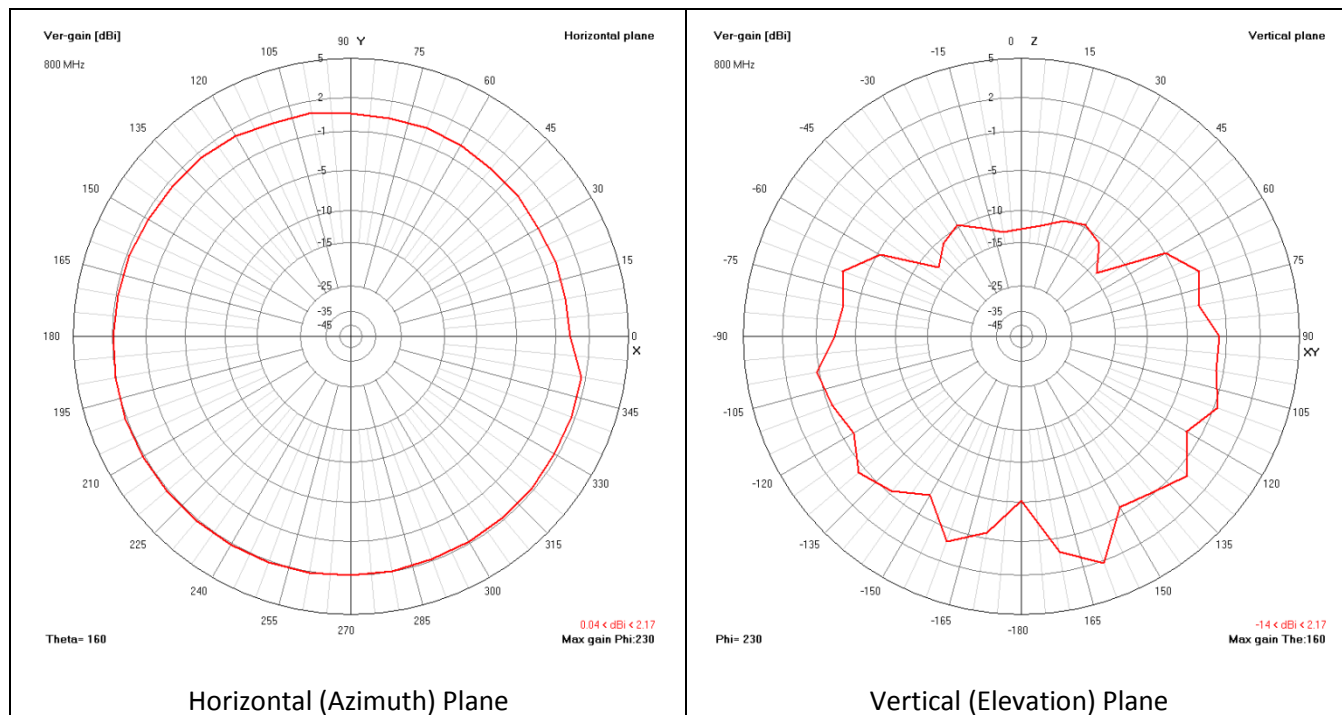
# ANT-120-007

## 5 dBi Omni-Directional 3G/4G/LTE Paddle Antenna



### Radiation Patterns

800 MHz



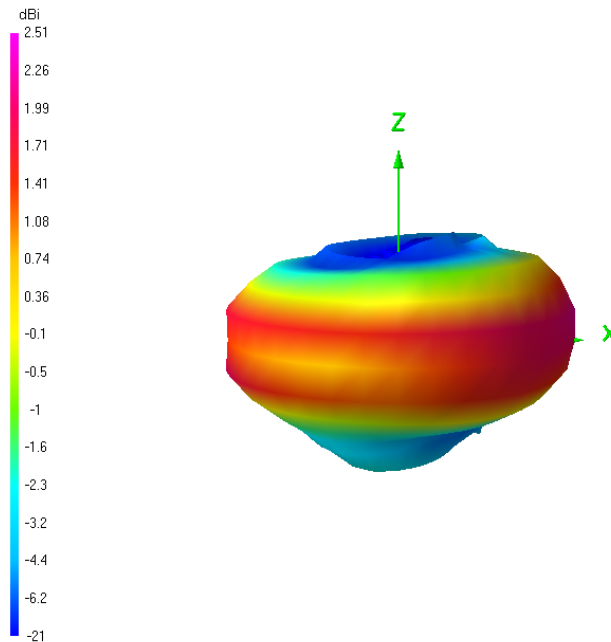
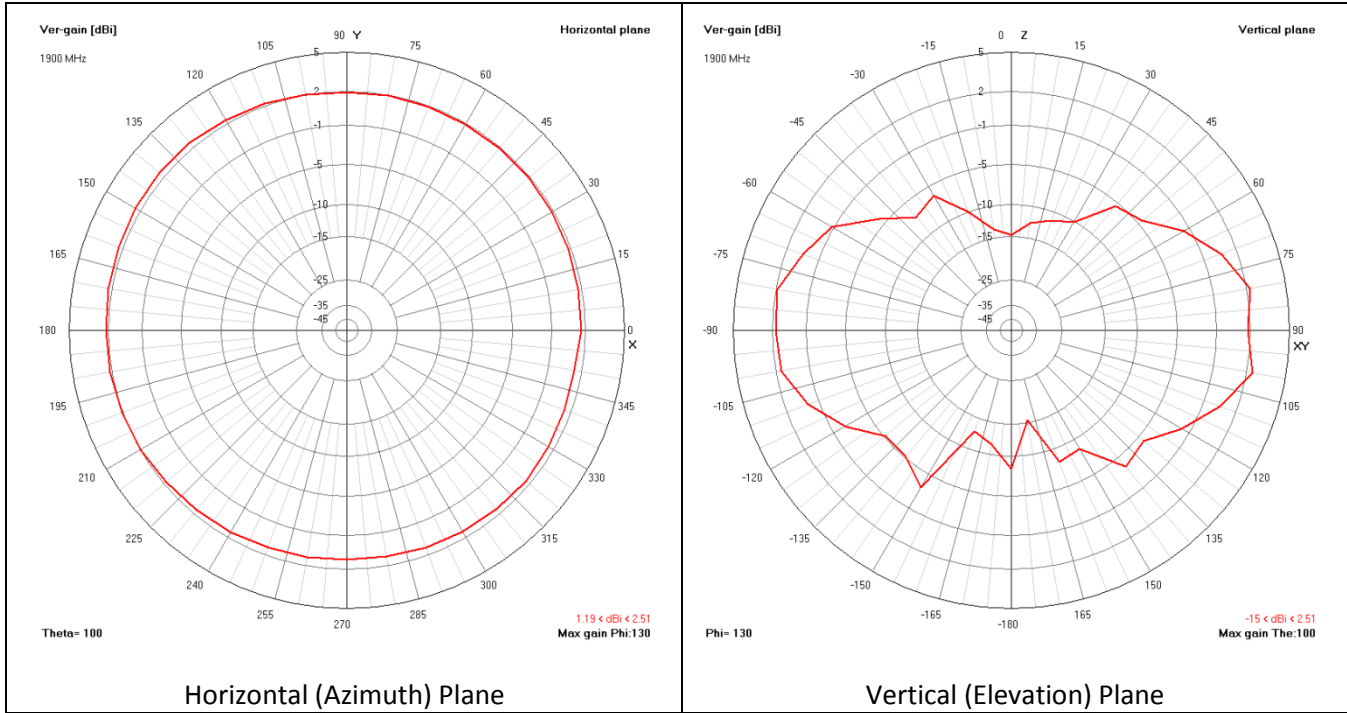
# ANT-120-007

## 5 dBi Omni-Directional 3G/4G/LTE Paddle Antenna



### Radiation Patterns

1900 MHz



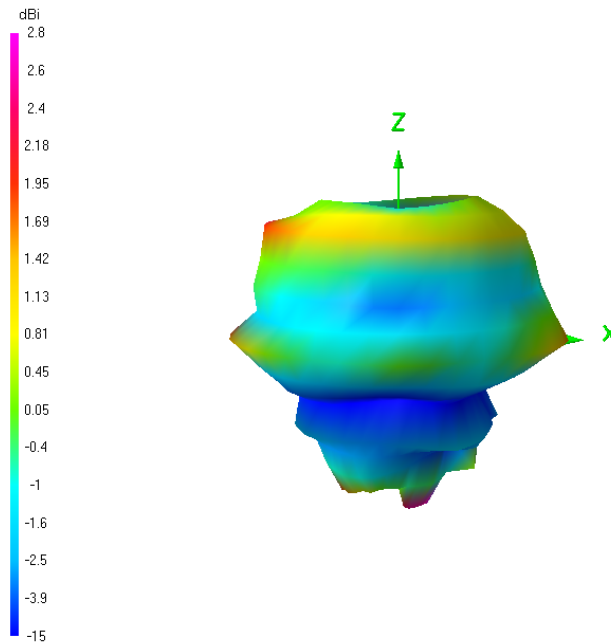
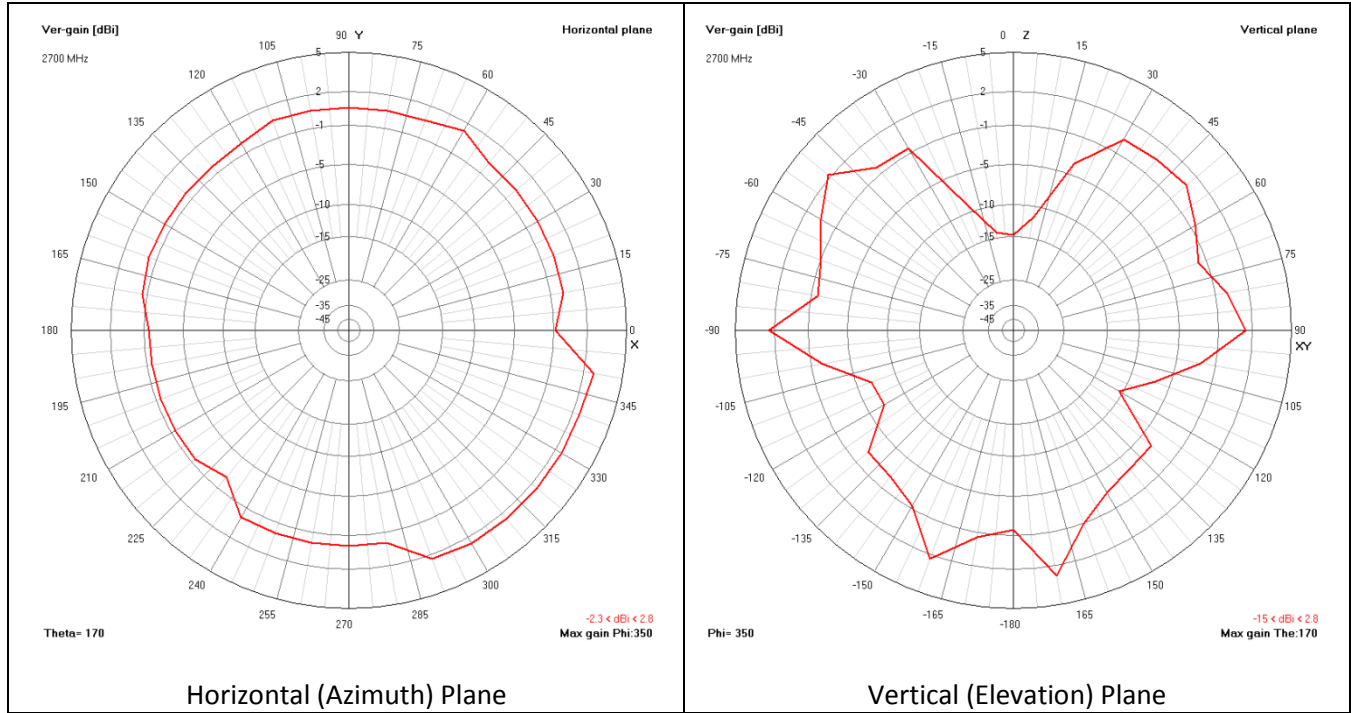
# ANT-120-007

## 5 dBi Omni-Directional 3G/4G/LTE Paddle Antenna



### Radiation Patterns

2700 MHz



# ANT-120-007

## 5 dBi Omni-Directional 3G/4G/LTE Paddle Antenna



### Installation Instructions

- Orient antenna vertically
- Position away from:
  - CRT/TVs
  - Lighting fixtures & motors
  - Other antennas & wireless devices
  - Low-E or tinted/coated windows
  - Large vertical metal or concrete objects
- Fully tighten antenna connector to modem's antenna jack
- Rotate to find strongest signal
- Use 2 identical antennas if modem supports diversity or MIMO
- Not intended for permanent outdoor use unless weather sealed

### Contact Information

For the latest specifications, additional product information, worldwide sales and information about Proxicast:

Web: [www.proxicast.com](http://www.proxicast.com) Tel: 1-877-777-7694

Email: [sales@proxicast.com](mailto:sales@proxicast.com) 1-412-213-2477

Proxicast • 312 Sunnyfield Drive, Suite 200 • Glenshaw, PA 15116 USA

For technical questions and application information:

Email: [support@proxicast.com](mailto:support@proxicast.com)

### Important Notice

The information contained herein is believed to be reliable. Proxicast makes no warranties regarding the information contained herein. Proxicast assumes no responsibility or liability whatsoever for any of the information contained herein. Proxicast assumes no responsibility or liability whatsoever for the use of the information contained herein. The information contained herein is provided "AS IS, WHERE IS" and with all faults, and the entire risk associated with such information is entirely with the user. All information contained herein is subject to change without notice.

The information contained herein or any use of such information does not grant, explicitly or implicitly, to any party any patent rights, licenses, or any other intellectual property rights, whether with regard to such information itself or anything described by such information. Proxicast products are not warranted or authorized for use as critical components in medical, life-saving, or life-sustaining applications, or other applications where a failure would reasonably be expected to cause severe personal injury or death.