

ANT-121-002

Vandal Resistant 3G/4G/LTE Omni-Directional Antenna



Applications

- Kiosks
- Vending Machines
- Digital Signage
- Video Surveillance
- Point-of-Sale Terminals
- SCADA / Telemetry / PLCs



Product Features

- Vandal Resistant
- Low Profile ~ 3 inches Tall
- Weatherproof
- Compatible with all 3G & 4G/LTE Networks
- Compatible with most Cellular Modems/Routers
- 3 – 5 dBi Peak Gain
- Omni-Directional
- SMA Male Connector on 10 ft Low-Loss Coax

Ordering Information

Part No.	Description
ANT-121-002	Vandal Resistant Low Profile 3G/4G/LTE Omni-Directional Antenna - 3-5 dBi Gain - Fixed Mount - 10 ft Coax Lead

General Description

This low profile (~ 3 inches tall) fixed screw mount omni-directional antenna provides 3 to 5 dBi of gain and supports all cellular frequency bands for AT&T, Verizon, Sprint, T-Mobile, Bell, Rogers, Telus and other cellular carriers worldwide.

Ideal for use in vending machines, meter housings, equipment sheds, NEMA enclosures or other locations requiring a low-profile vandal resistant external antenna. Also suitable for vehicle mounting on buses, vans, trucks or other mobile installations.

Permanently mounts via a 5/8 in. (16 mm) hole with locking internal nut. Resists vandalism with no exposed coax cable, high impact ABS radome shell and an extra thick threaded mounting post. Includes 10 ft of low-loss RG58U coax fed through center mounting post. Includes "L" bracket for optional wall mounting.

Integrated SMA male plug connector mates with SMA female jack found on most cellular modems and routers.

Completely waterproof (IP67) when properly installed with post extending into a water-tight enclosure. Not waterproof when used exclusively with wall bracket.

For optimum performance this antenna should be mounted on a flat, horizontal metal surface at least 8 inches in diameter.

ANT-121-002

Vandal Resistant 3G/4G/LTE Omni-Directional Antenna



Electrical Specifications

Parameter	Rating
Frequency Range	698-960 / 1710-2700 MHz includes all 2G, 3G, 4G, LTE Bands
Gain	3 – 5 dBi
VSWR	≤ 2.0:1
Input Impedance	50 Ohm
Polarization	Vertical
Max Input Power	50 W
Ground Plane	8 inch (20 cm) diameter min

Mechanical Specifications

Parameter	Rating
Connector Type	SMA Male (plug)
Cable Length	10 ft (3 m) of LMR RG58U low-loss coax
Height	Radome: 3.2 inches (82 mm) above mounting surface Overall: 4.0 inches (102 mm)
Diameter	Radome: 1.9 inches (48 mm) at base Mounting post: 0.55 inches (14 mm)
Weight	6.2 oz (176 g excluding mounting bracket)
Materials	Radome: UV stabilized ABS plastic Connector: Brass with Nickel plating Mounting Bracket: Aluminum Adhesive Pad: Urethane Foam
Antenna Color	Black
Operating Temperature	-40°C to +70°C
Environmental Rating	IP67 (waterproof)

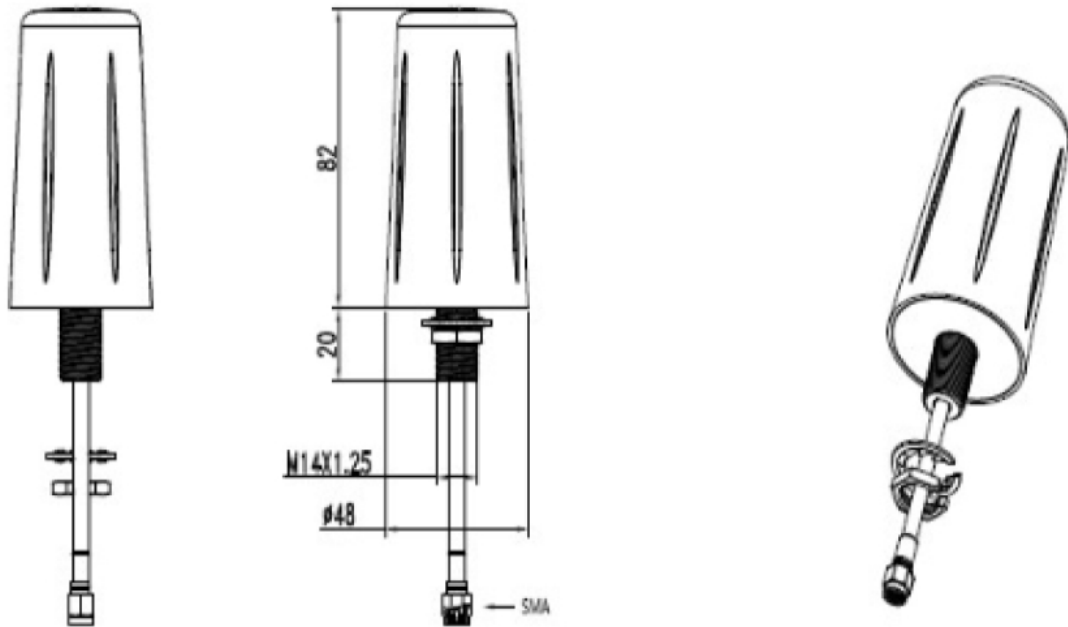
Operation of this device outside the parameter ranges given above may cause permanent damage.

ANT-121-002

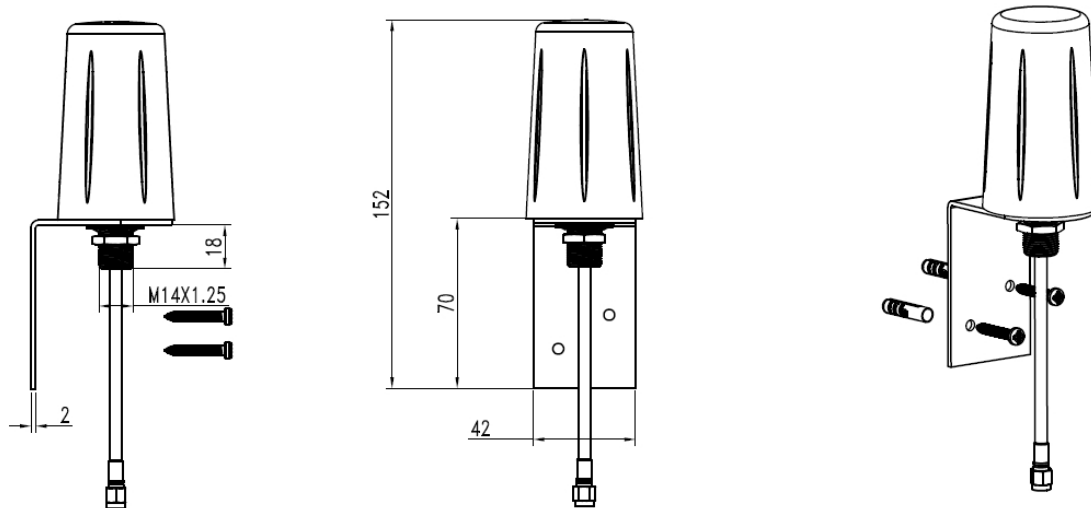
Vandal Resistant 3G/4G/LTE Omni-Directional Antenna



Mechanical Dimensions



With Wall Mounting Bracket



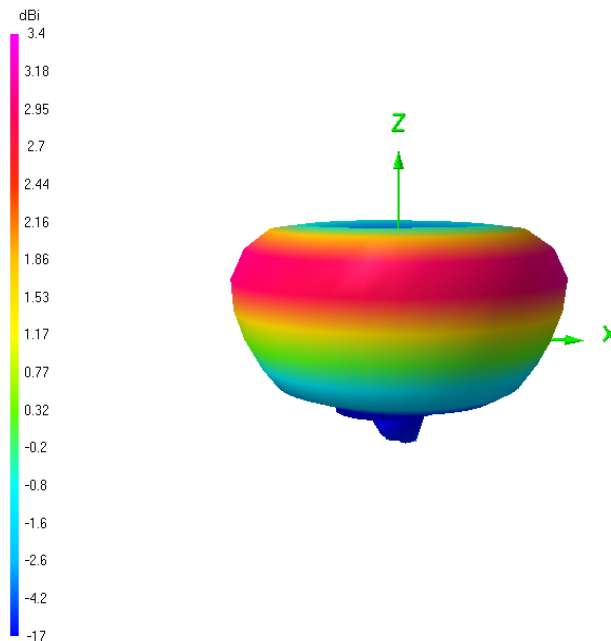
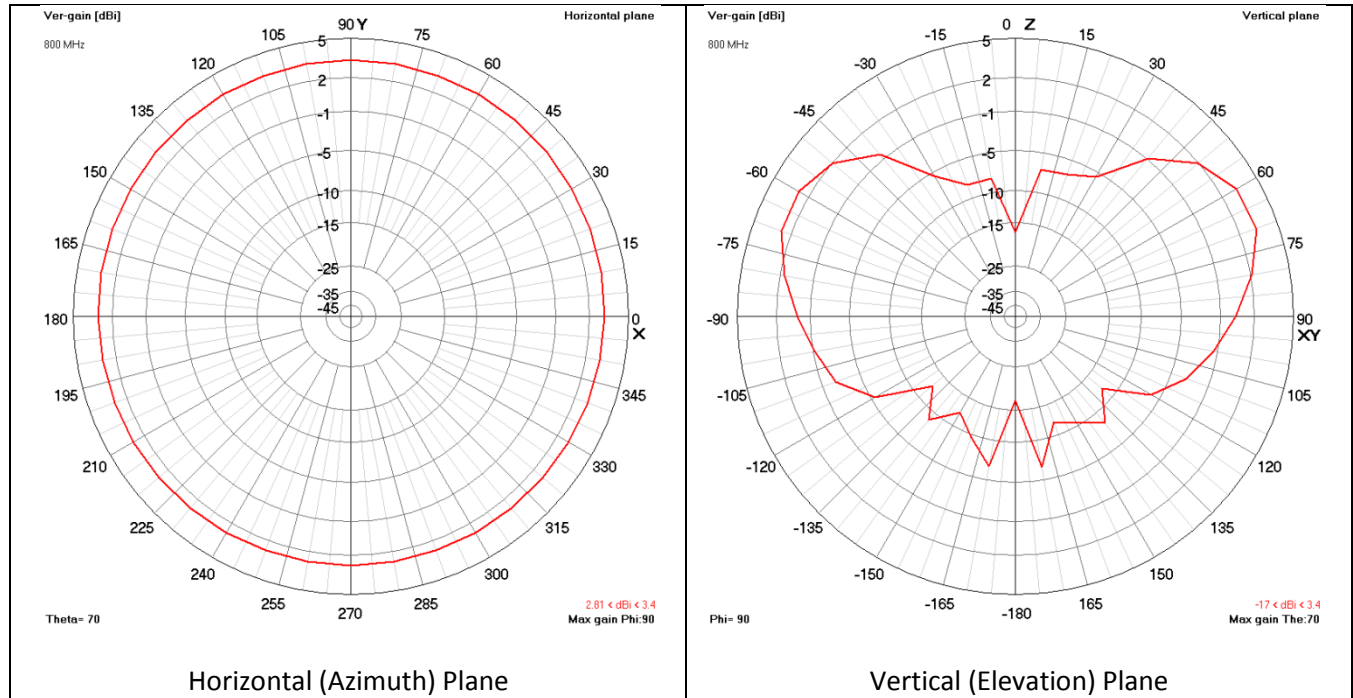
ANT-121-002

Vandal Resistant 3G/4G/LTE Omni-Directional Antenna



Radiation Patterns

800 MHz



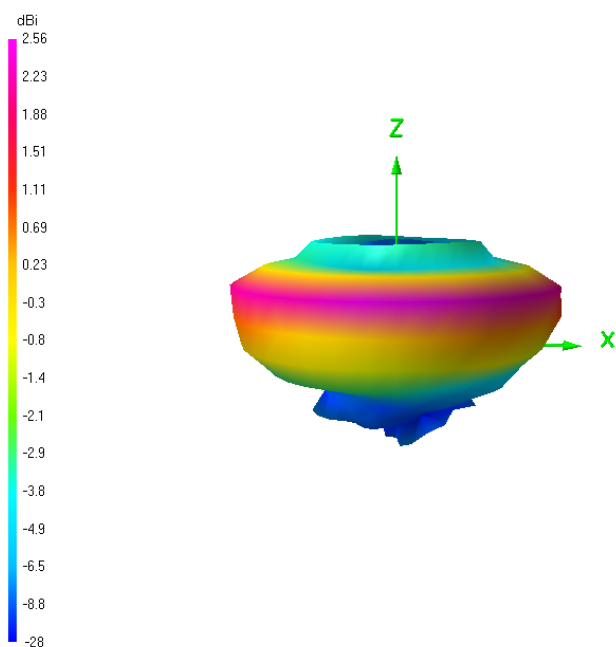
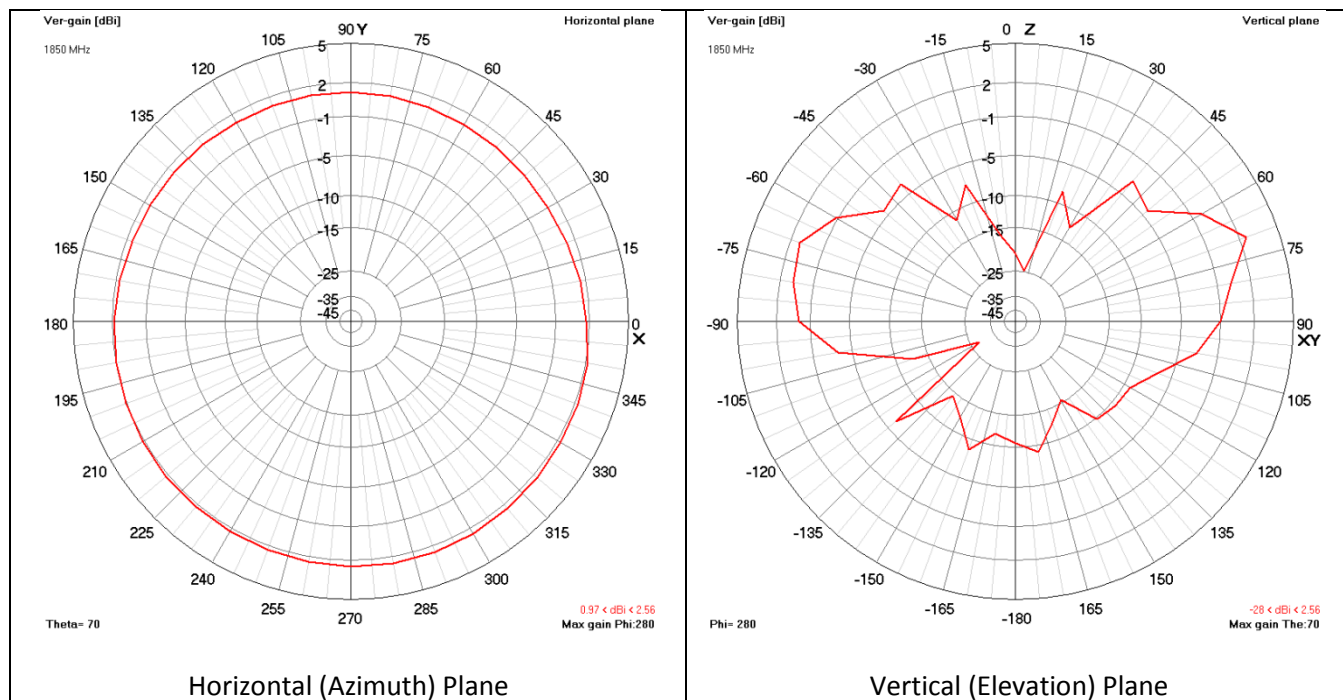
ANT-121-002

Vandal Resistant 3G/4G/LTE Omni-Directional Antenna



Radiation Patterns

1850 MHz



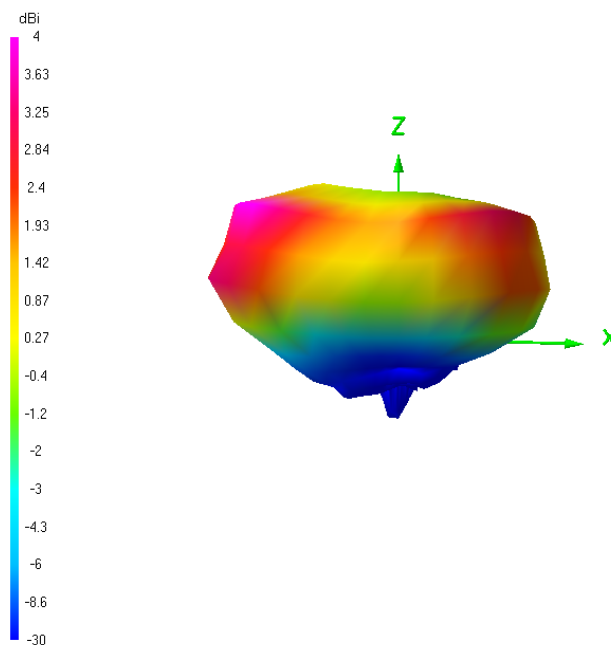
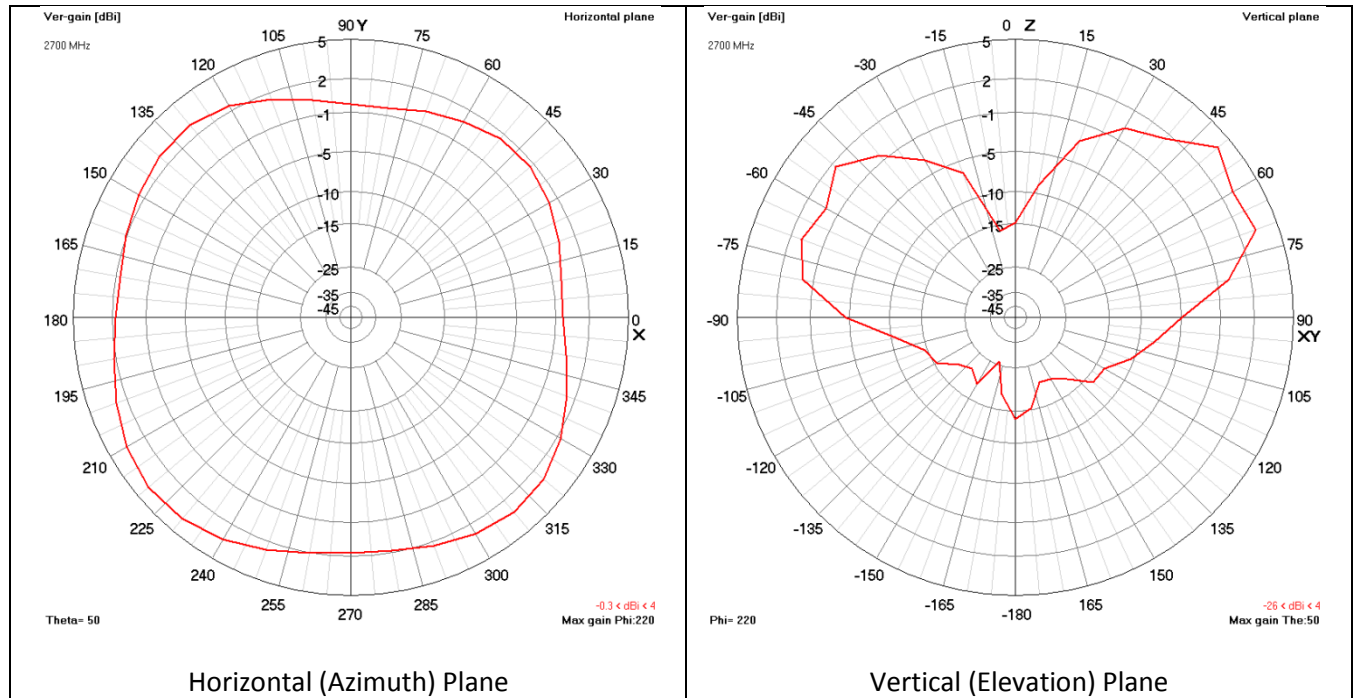
ANT-121-002

Vandal Resistant 3G/4G/LTE Omni-Directional Antenna



Radiation Patterns

2700 MHz



ANT-121-002

Vandal Resistant 3G/4G/LTE Omni-Directional Antenna



Installation Instructions

- Position away from:
 - CRT/TVs
 - Lighting fixtures & motors
 - Other antennas & wireless devices
 - Low-E or tinted/coated windows
 - Large vertical metal or concrete objects
- Drill a 5/8" (16mm) hole in flat horizontal surface
- Remove mounting nut & washer and feed coax cable through hole
- Remove bottom plastic liner to expose adhesive
- Press antenna into hole and tighten nut & washer from underneath
- Optionally apply a thin bead of silicone caulk around the antenna rim
- Use 2 identical antennas spaced 22 inches apart if modem supports diversity or MIMO
- Keep coax lead cable as short as possible & weatherproof all outdoor connectors

Contact Information

For the latest specifications, additional product information, worldwide sales and distribution and information about Proxicast:

Web: www.proxicast.com Tel: 1-877-777-7694

Email: sales@proxicast.com 1-412-213-2477

Proxicast • 312 Sunnyfield Drive, Suite 200 • Glenshaw, PA 15116 USA

For technical questions and application information:

Email: support@proxicast.com

Important Notice

The information contained herein is believed to be reliable. Proxicast makes no warranties regarding the information contained herein. Proxicast assumes no responsibility or liability whatsoever for any of the information contained herein. Proxicast assumes no responsibility or liability whatsoever for the use of the information contained herein. The information contained herein is provided "AS IS, WHERE IS" and with all faults, and the entire risk associated with such information is entirely with the user. All information contained herein is subject to change without notice.

The information contained herein or any use of such information does not grant, explicitly or implicitly, to any party any patent rights, licenses, or any other intellectual property rights, whether with regard to such information itself or anything described by such information. Proxicast products are not warranted or authorized for use as critical components in medical, life-saving, or life-sustaining applications, or other applications where a failure would reasonably be expected to cause severe personal injury or death.