

ANT-126-002

10 dBi Omni-Directional Compact 3G/4G/LTE Antenna



Applications

- 3G/4G/LTE Routers & Modems
- Cellular Amplifiers
- Signal Challenged Locations Requiring High Gain Omni-Directional Antennas
- Installations Requiring an Aesthetic Solution
- Pole & Wall Mount Options



Product Features

- Compatible with most Cellular Modems/Routers
- Compatible with all 3G/4G/LTE Networks
- Integrated N Female Connector
- No Ground Plane Required
- White Polyurethane Coated Fiberglass Radome
- Only 9 inches Tall

Ordering Information

Part No.	Description
ANT-126-002	Proxicast High Gain 10 dBi Universal Wide-Band Compact 3G/4G/LTE Omni-Directional Outdoor Pole/Wall Mount Antenna

General Description

Proxicast's small, light-weight, easy-to-install permanent mount omni-directional antenna improves transmit and receive signals for all 3G and 4G/LTE, xLTE, AWS frequencies on Verizon, AT&T, Sprint, T-Mobile, US Cellular, Bell Mobility, Rogers, Telus, Sasktel, Telcel, Movistar, DigiCell and many other cellular operators worldwide.

This antenna is also suitable for unlicensed 900 MHz (ISM) radio applications and 2.4 GHz WiFi / ISM band. It also covers the GPS frequency (1575 MHz) and can be used as a passive GPS antenna or as a multiplexed cellular + GPS antenna.

The omni-directional design provides high gain without the cellular tower location and alignment hassles of directional antennas.

Its compact size and gloss white finish blend into any environment and make it ideal for many outdoor applications, including building rooftops, utility poles, surveillance trailers, well sites, remote telemetry units, meters, homes and offices.

With the appropriate adapter cable (not included), this antenna is compatible with USB cellular modems and Mi-Fi Hotspots, external 3G/4G cellular modems, routers and signal amplifiers from companies such as CalAmp, Cisco, Cradlepoint, Digi, MoFi, Netgear, Novatel, Pepwave, Proxicast, Sierra Wireless, SureCall, weBoost/Wilson and ZTE.

For MIMO applications use 2 identical antennas. Proxicast's XBOOM Cross-Over Bracket (ANT-800-XB1) makes it easy to mount 2 antennas on a single vertical mast.

ANT-126-002

10 dBi Omni-Directional Compact 3G/4G/LTE Antenna



Electrical Specifications

Parameter	Rating
Frequency Range	700-2700 MHz includes all 2G, 3G, 4G, LTE Bands used worldwide and GPS, 900MHz and 2.4 GHz WiFi bands
Peak Gain	10 dBi
VSWR	≤ 1.8:1
Input Impedance	50 Ohm
Polarization	Vertical
Max Input Power	100 W
Ground Plane	Not Required
Lightning Protection	Direct Ground

Mechanical Specifications

Parameter	Rating
Connector Type	N Female (jack) integrated into base of antenna
Length	8.7 inches / 22 cm with bracket: 10.6 in / 27 cm
Diameter	2.6 inches / 65 mm
Weight	17 oz / 0.5 kg
Materials	UV Stabilized ABS, steel, zinc, aluminum - RoHS compliant
Antenna Color	White
Operating Temperature	-40°C to +70°C
Mounting	Pole/Wall Mount via integrated bracket (2.0" dia. U-bolt included)

Operation of this device outside the parameter ranges given above may cause permanent damage.

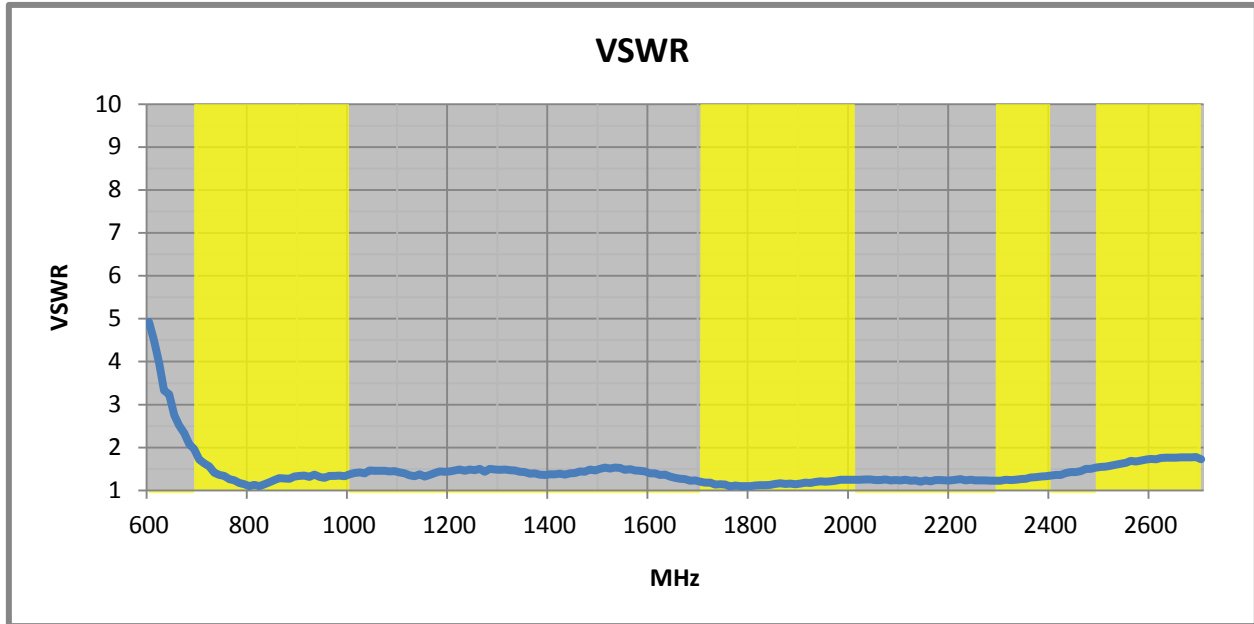
ANT-126-002

10 dBi Omni-Directional Compact 3G/4G/LTE Antenna

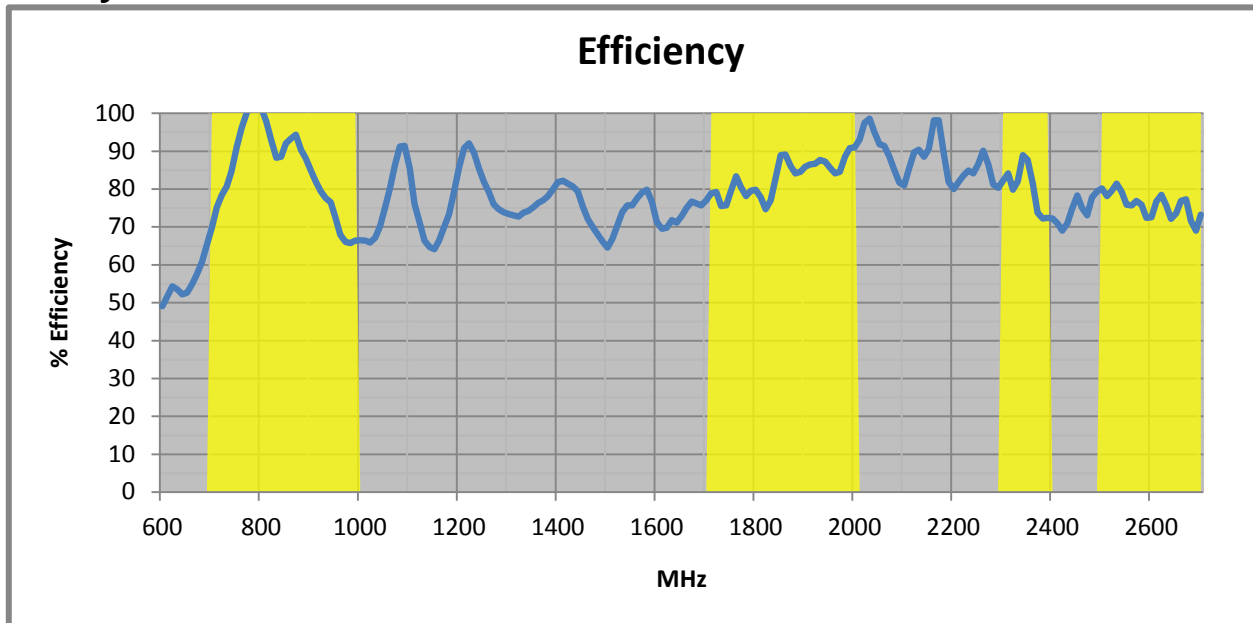


Electrical Characteristics

VSWR



Efficiency



Highlighted areas represent the primary 3G/4G/LTE frequency bands.

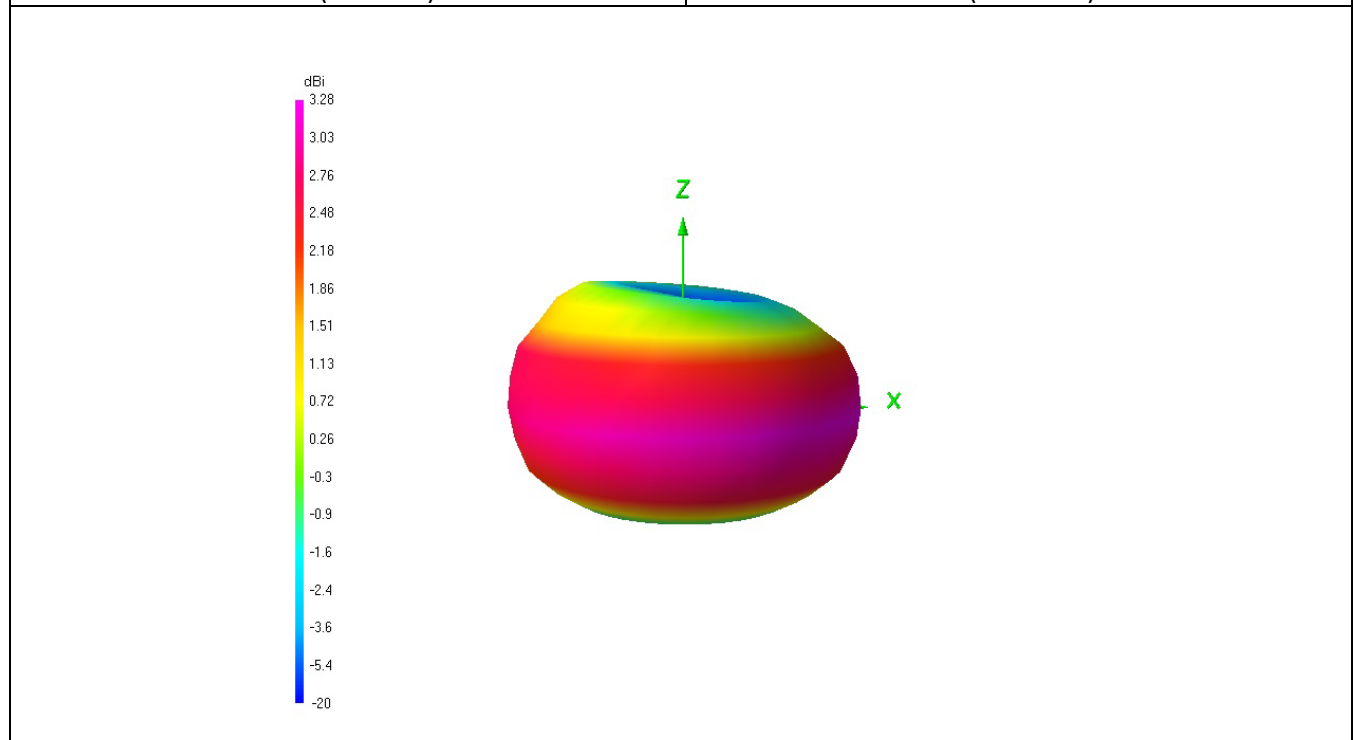
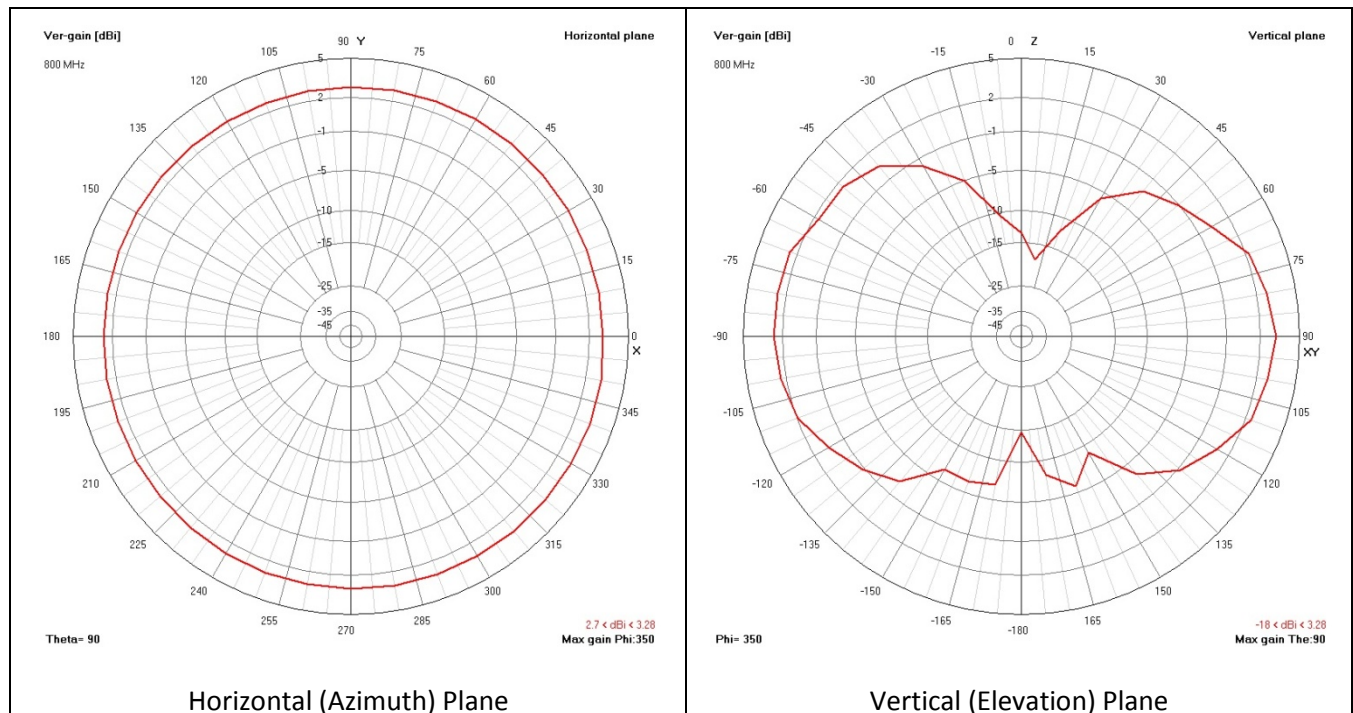
ANT-126-002

10 dBi Omni-Directional Compact 3G/4G/LTE Antenna



Radiation Patterns

800 MHz



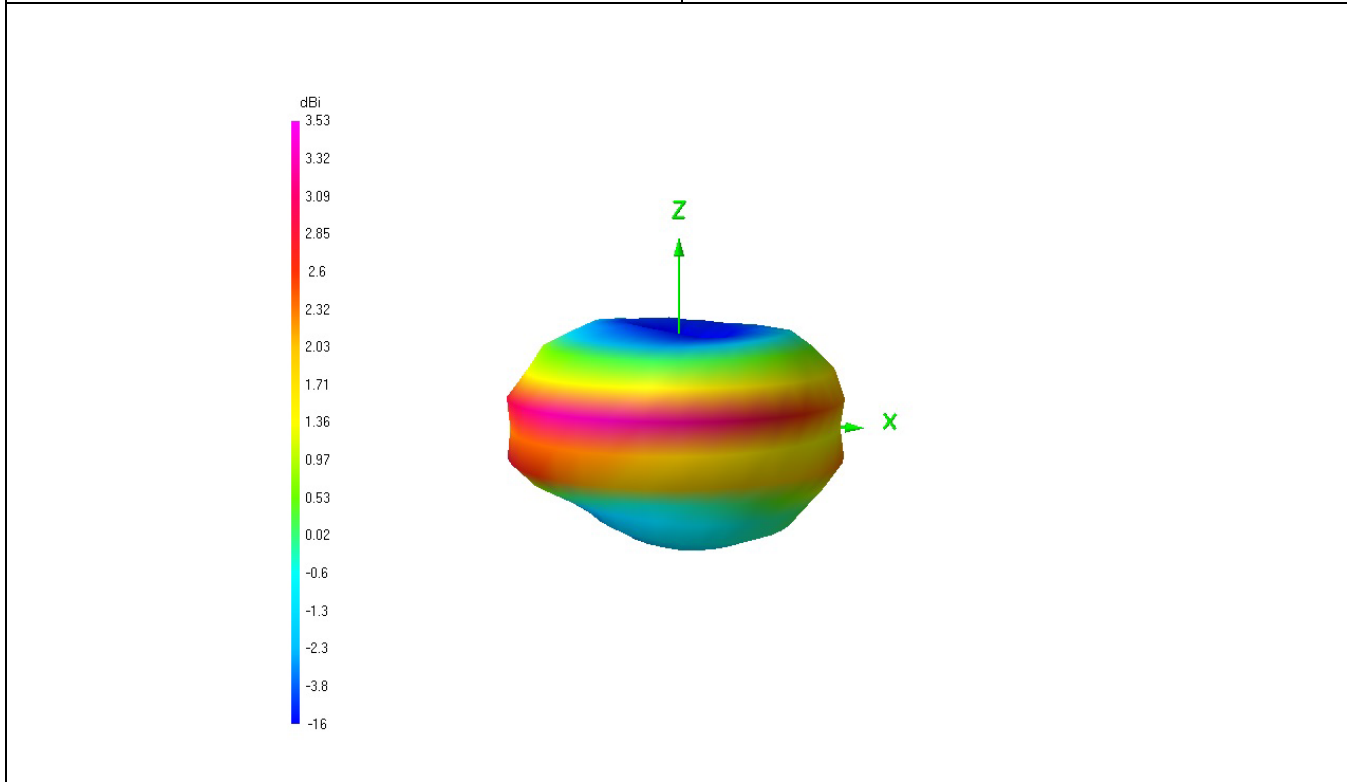
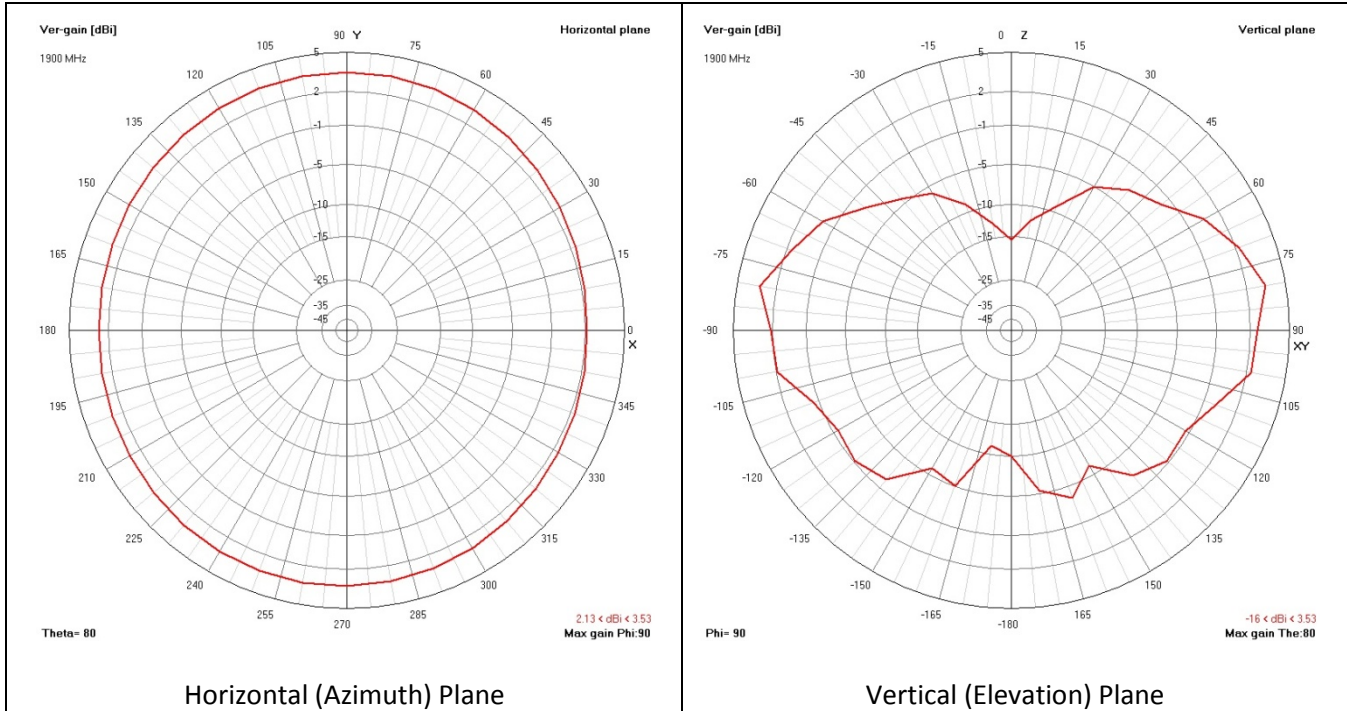
ANT-126-002

10 dBi Omni-Directional Compact 3G/4G/LTE Antenna



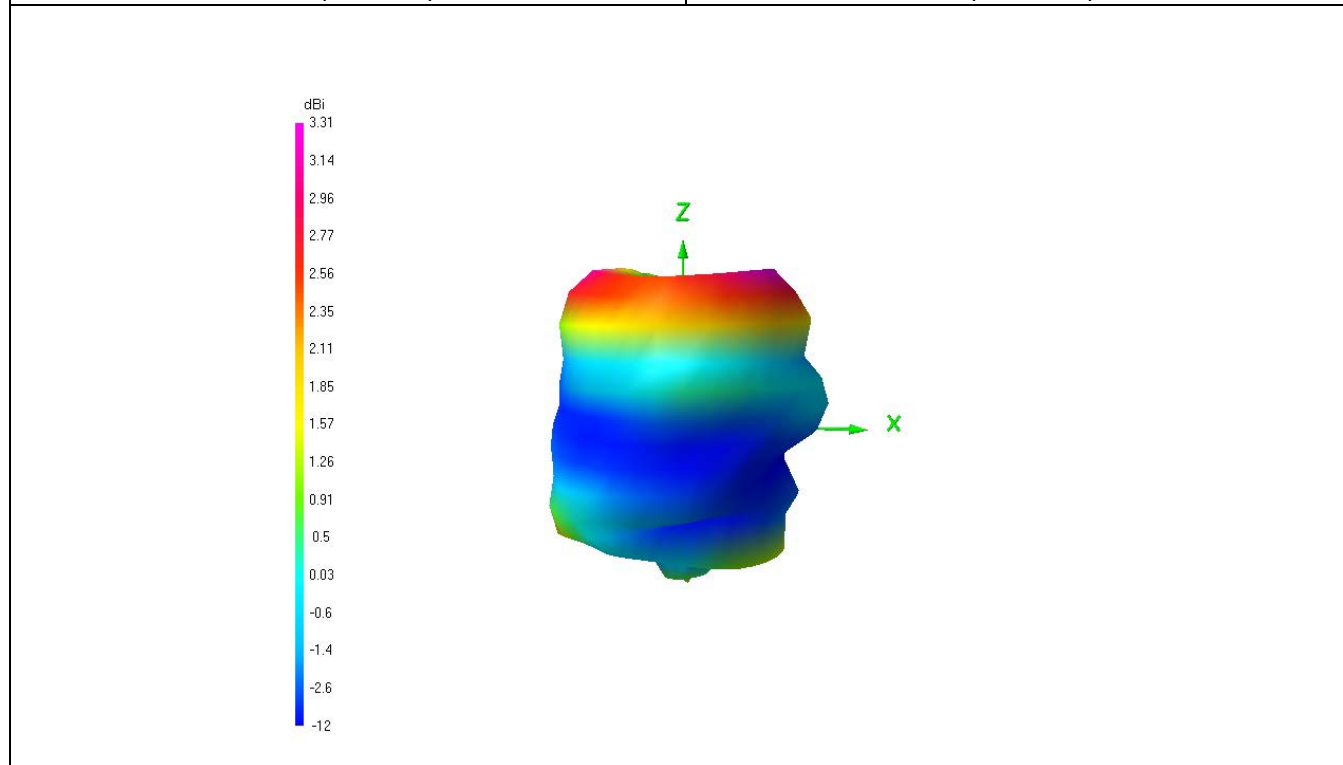
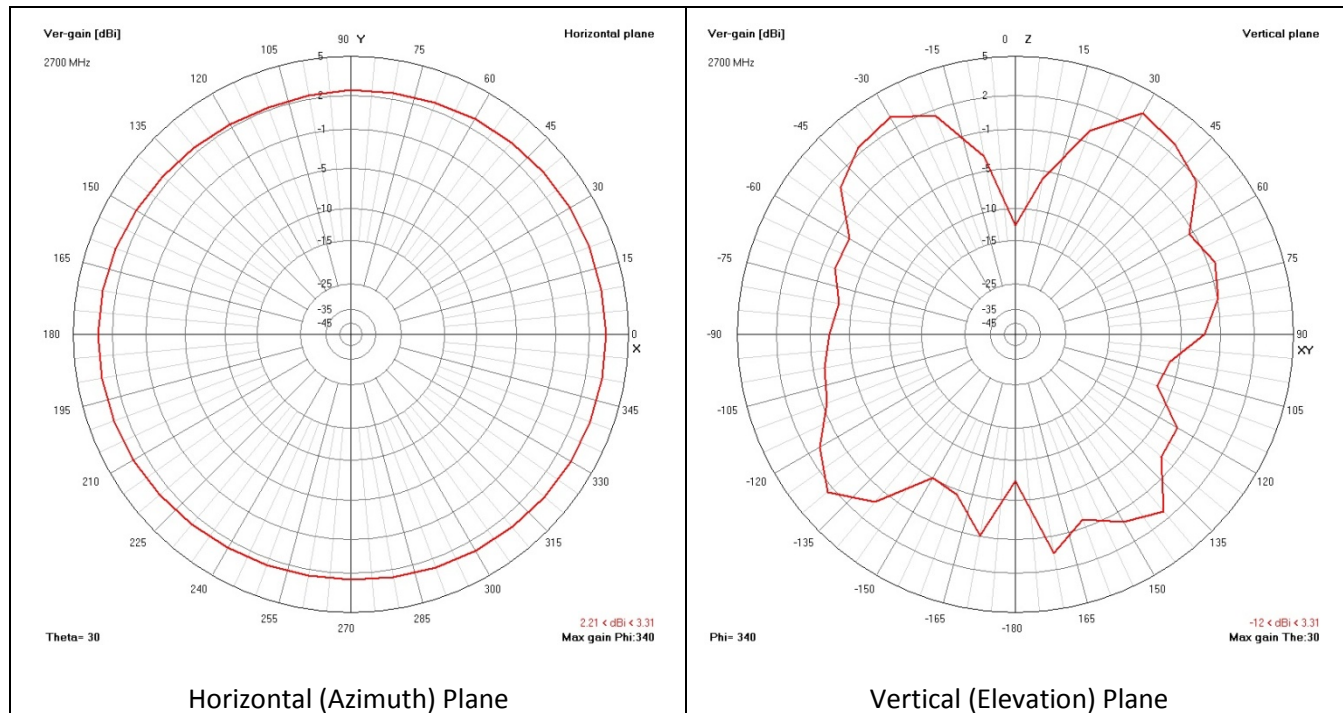
Radiation Patterns

1900 MHz



Radiation Patterns

2700 MHz



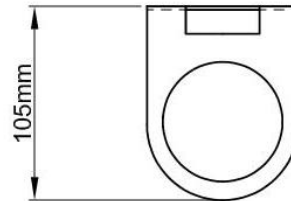
ANT-126-002

10 dBi Omni-Directional Compact 3G/4G/LTE Antenna

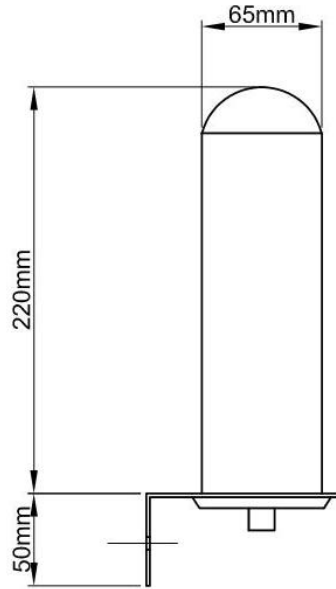


Mechanical Dimensions

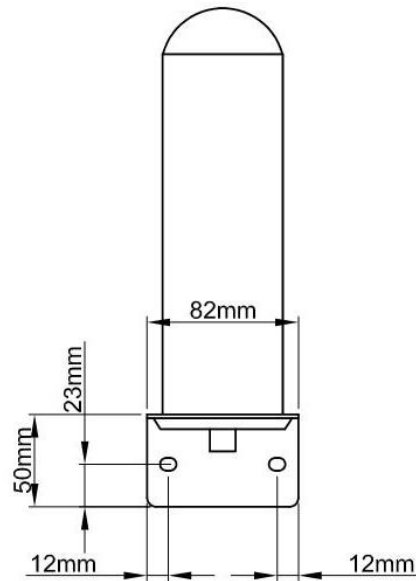
Dimensions in millimeters



TOP VIEW



SIDE VIEW



FRONT VIEW

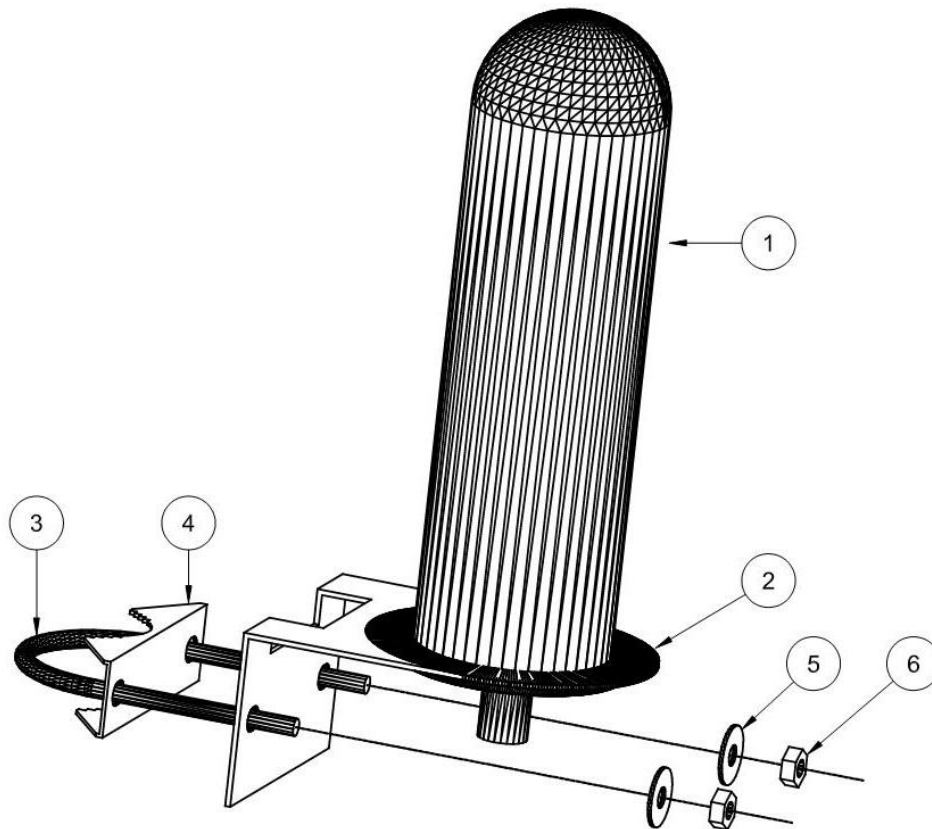
ANT-126-002

10 dBi Omni-Directional Compact 3G/4G/LTE Antenna



Assembly Instructions

- 1 = Antenna
- 2 = L Bracket
- 3 = U Bolt
- 4 = Clamp
- 5 = Washer (x2)
- 6 = Nut (x2)



ANT-126-002

10 dBi Omni-Directional Compact 3G/4G/LTE Antenna



Additional Product Images



ANT-126-002

10 dBi Omni-Directional Compact 3G/4G/LTE Antenna



Installation Instructions

- Orient antenna vertically
- Position away from:
 - CRT/TVs
 - Lighting fixtures & motors
 - Other antennas & wireless devices
 - Low-E or tinted/coated windows
 - Large vertical metal or concrete objects
- Mount as high as possible
- Weather seal outdoor coax connections
- Fully tighten coax connector to antenna connector
- Install in-line lightning protection if required by local building, fire, insurance or safety codes
- Use 2 identical antennas if modem supports diversity or MIMO

Contact Information

For the latest specifications, additional product information, worldwide sales and information about Proxicast:

Web: www.proxicast.com **Tel:** 1-877-777-7694

Email: sales@proxicast.com 1-412-213-2477

Proxicast • 312 Sunnyfield Drive, Suite 200 • Glenshaw, PA 15116 USA

For technical questions and application information:

Email: support@proxicast.com

Important Notice

The information contained herein is believed to be reliable. Proxicast makes no warranties regarding the information contained herein. Proxicast assumes no responsibility or liability whatsoever for any of the information contained herein. Proxicast assumes no responsibility or liability whatsoever for the use of the information contained herein. The information contained herein is provided "AS IS, WHERE IS" and with all faults, and the entire risk associated with such information is entirely with the user. All information contained herein is subject to change without notice.

The information contained herein or any use of such information does not grant, explicitly or implicitly, to any party any patent rights, licenses, or any other intellectual property rights, whether with regard to such information itself or anything described by such information. Proxicast products are not warranted or authorized for use as critical components in medical, life-saving, or life-sustaining applications, or other applications where a failure would reasonably be expected to cause severe personal injury or death.