

9/11 dBi Fixed Mount 3G/4G/LTE LPDA Directional Antenna 698-960 / 1710-2700 / 4400-4900 MHz

Model: ANT-128-004

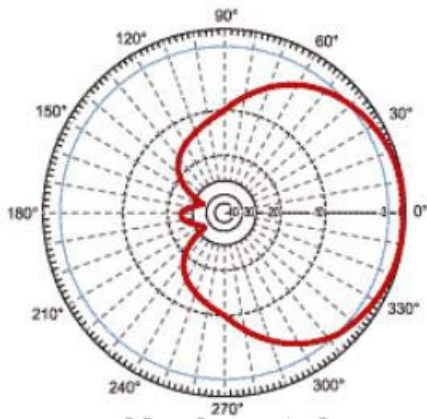


Technical Specifications

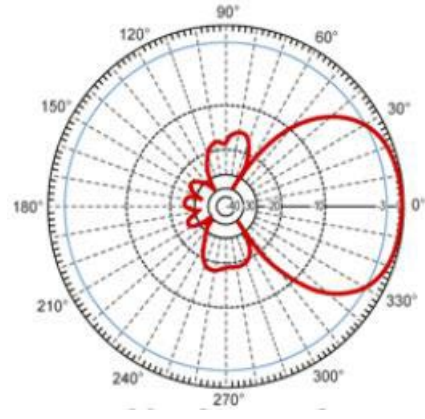
Frequency Range	698-960 / 1710-2700 / 4400-4900 MHz Includes all 3G & 4G/LTE frequencies used in USA/Canada/Mexico/Europe 900 MHz unlicensed ISM Band 2.4 GHz Wi-Fi Band 4.9 GHz licensed Public Safety Band
Gain	9/11 dBi
VSWR	≤ 1.8:1
Vertical Beam Width	60°
Horizontal Beam Width	90°
Max Input power	50 W
Polarization Type	Vertical
Input Impedance	50 ohm
Max Wind Load	216 km/hr (134 mph)
Lightning Protection	DC Ground
Antenna Dimensions	440 x 209 x 75 x 49.5 mm (17.3 x 8.2 x 2.8 x 1.9 in) excluding 90 x 70 mm bracket
Weight	510 g (18 oz) excluding mounting hardware
Connector Type	N Female on 300 mm (11.8 in) LMR195 coax lead
Mounting	Pole or Wall Mount (2.0 in dia. U-bolts & bracket included)
Antenna Color	Ivory
Operating Temperature	-40°C to +70°C

Model: ANT-128-004

Radiation Pattern



Horizontal



Vertical

Model: ANT-128-004

Assembly Instructions

