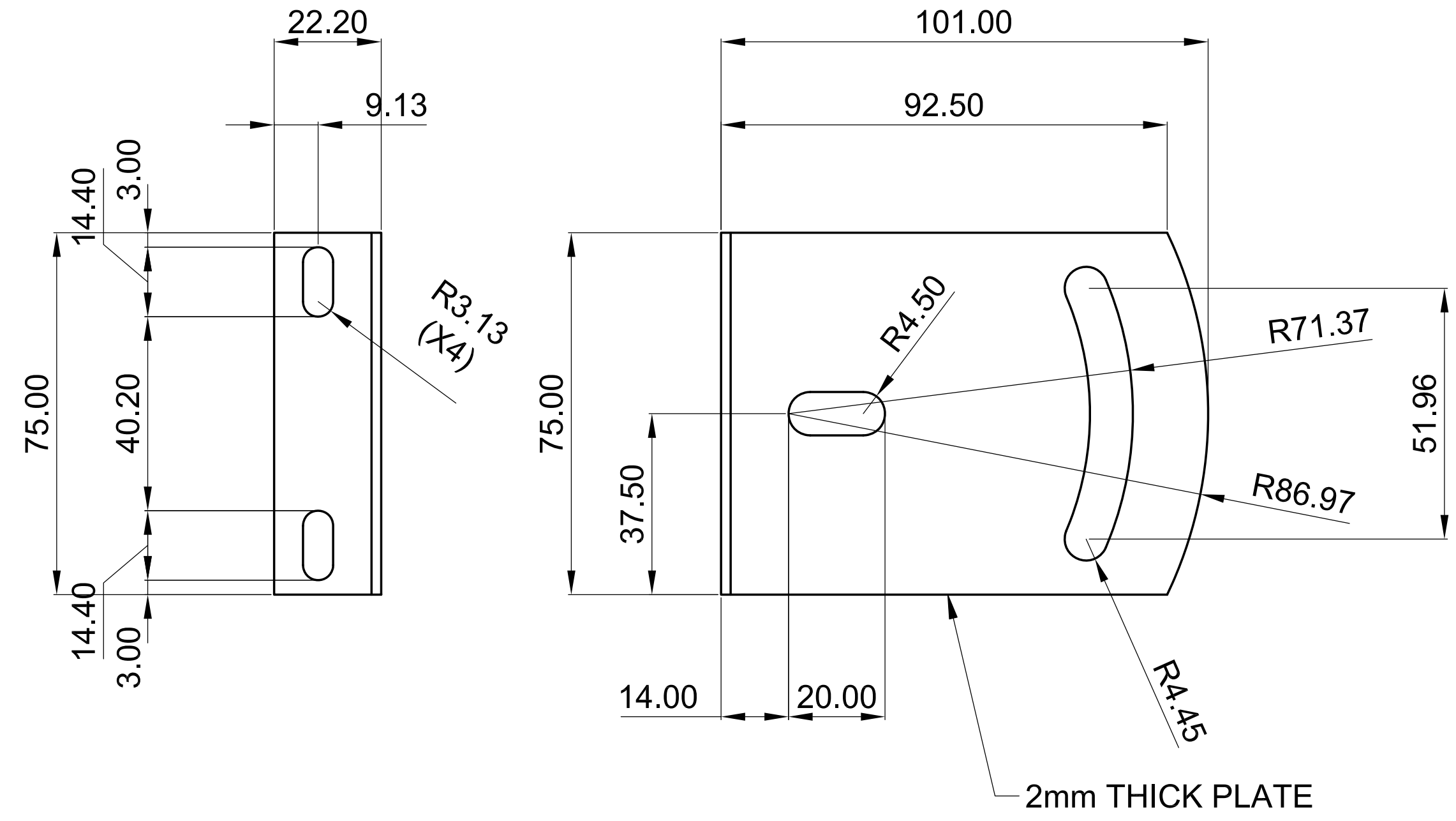
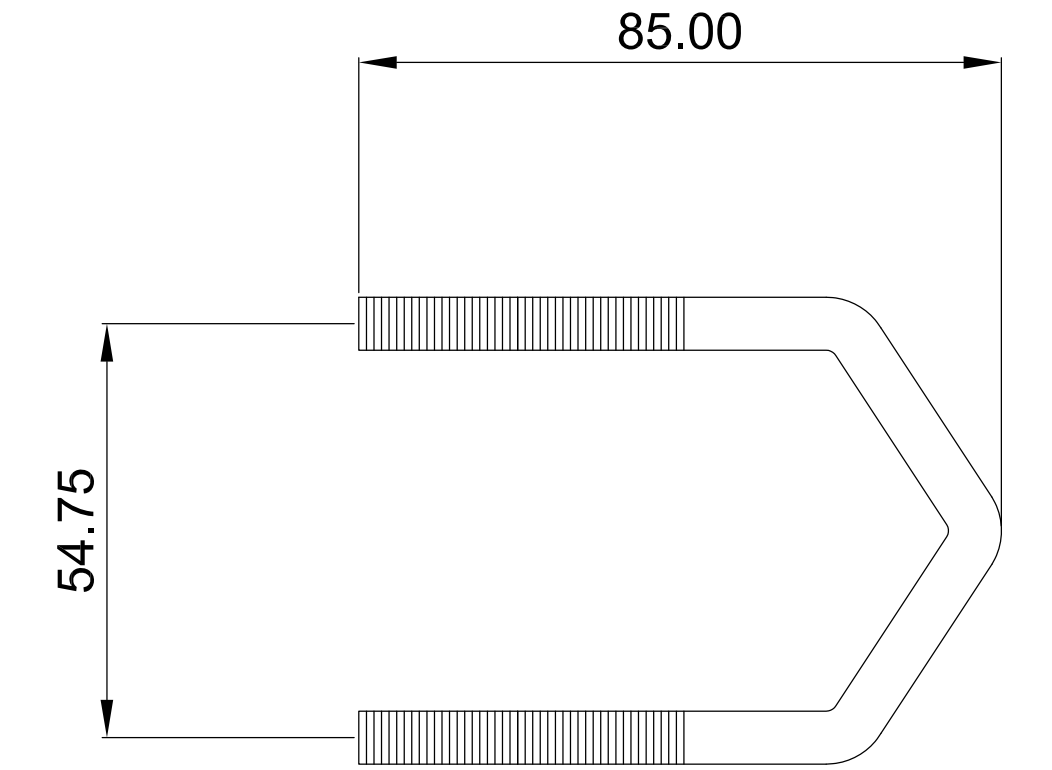


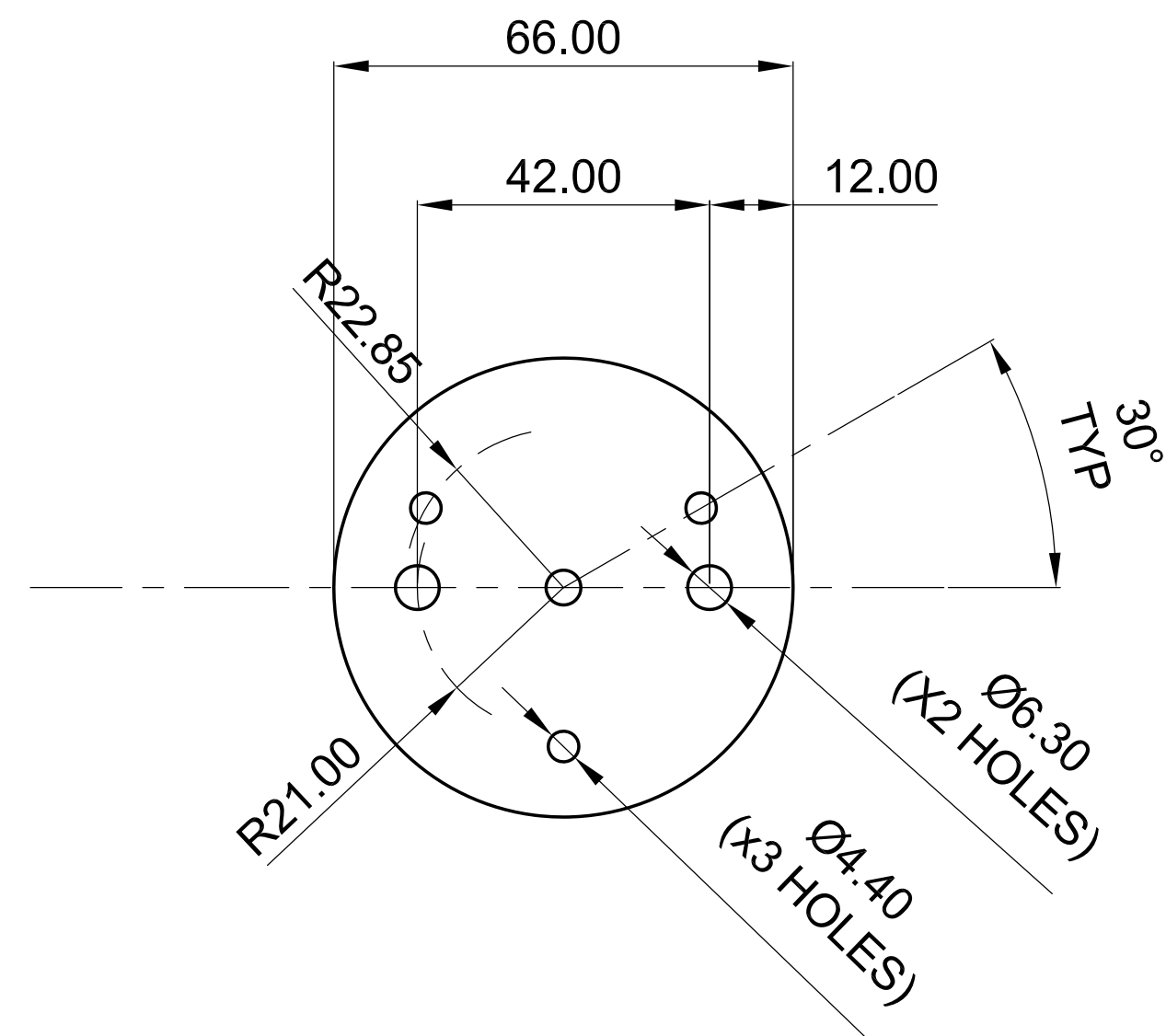
**ANTENNA (X2)**



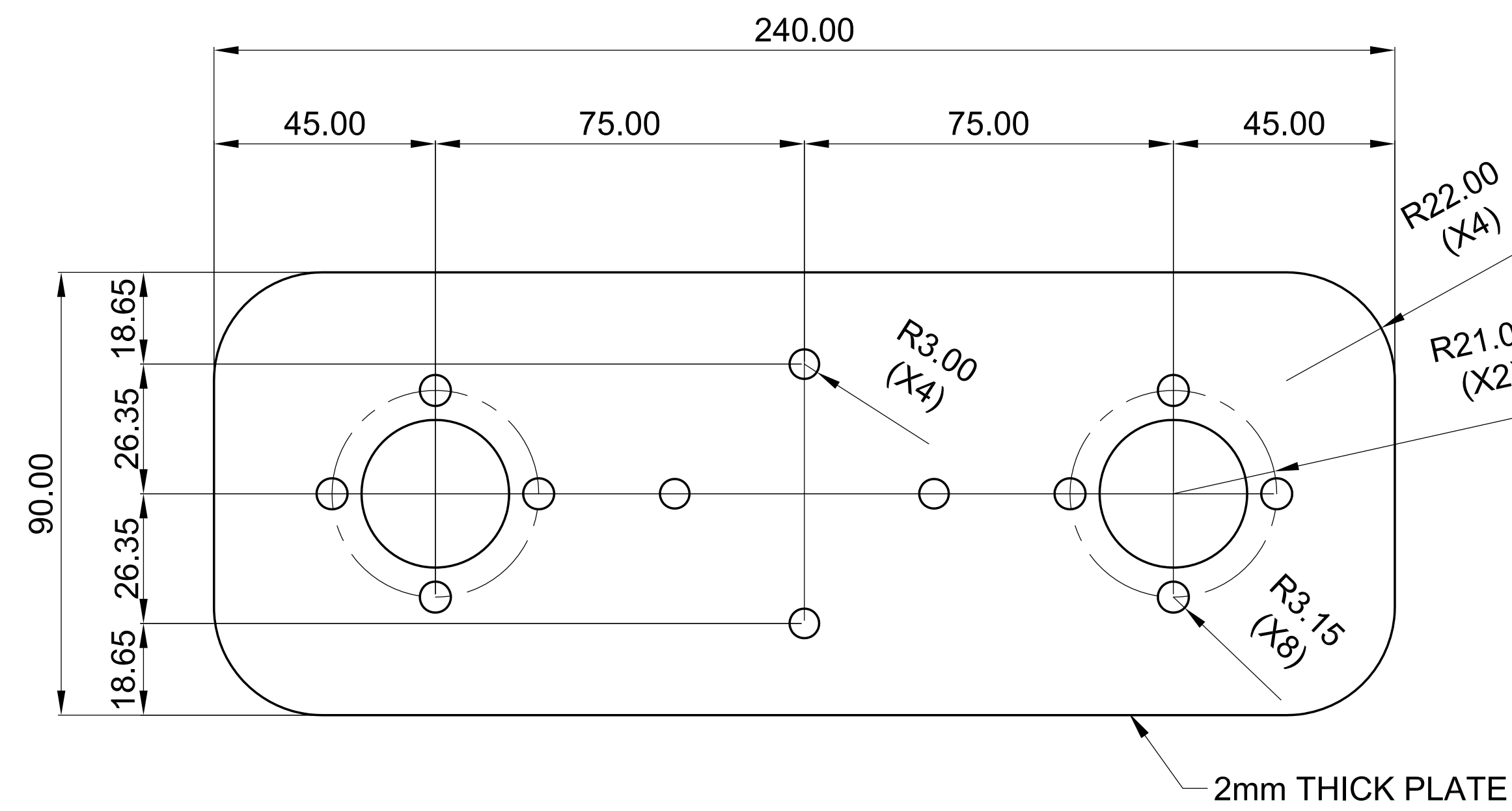
**L BRACKET**



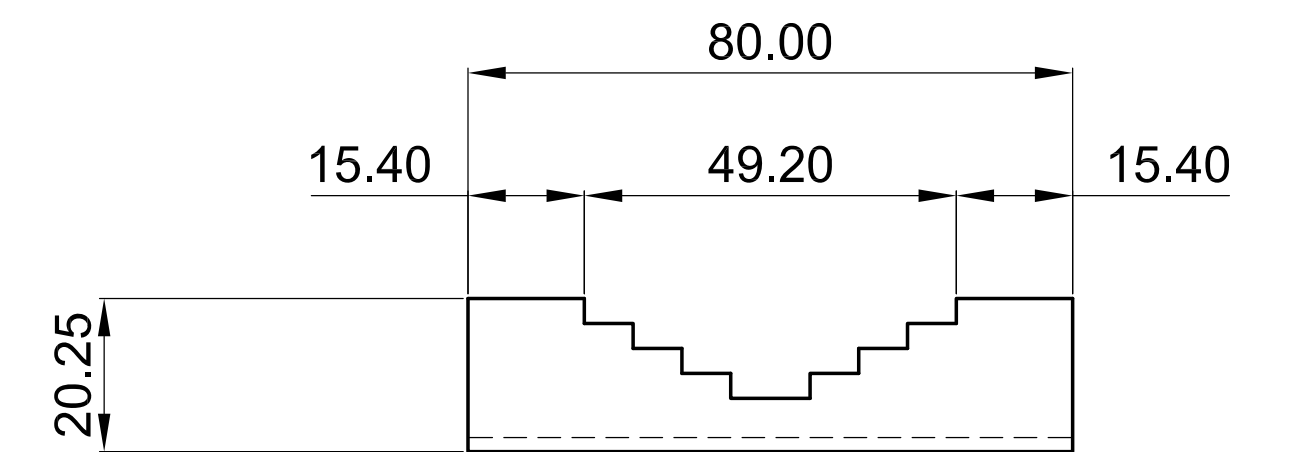
**U-BOLT**



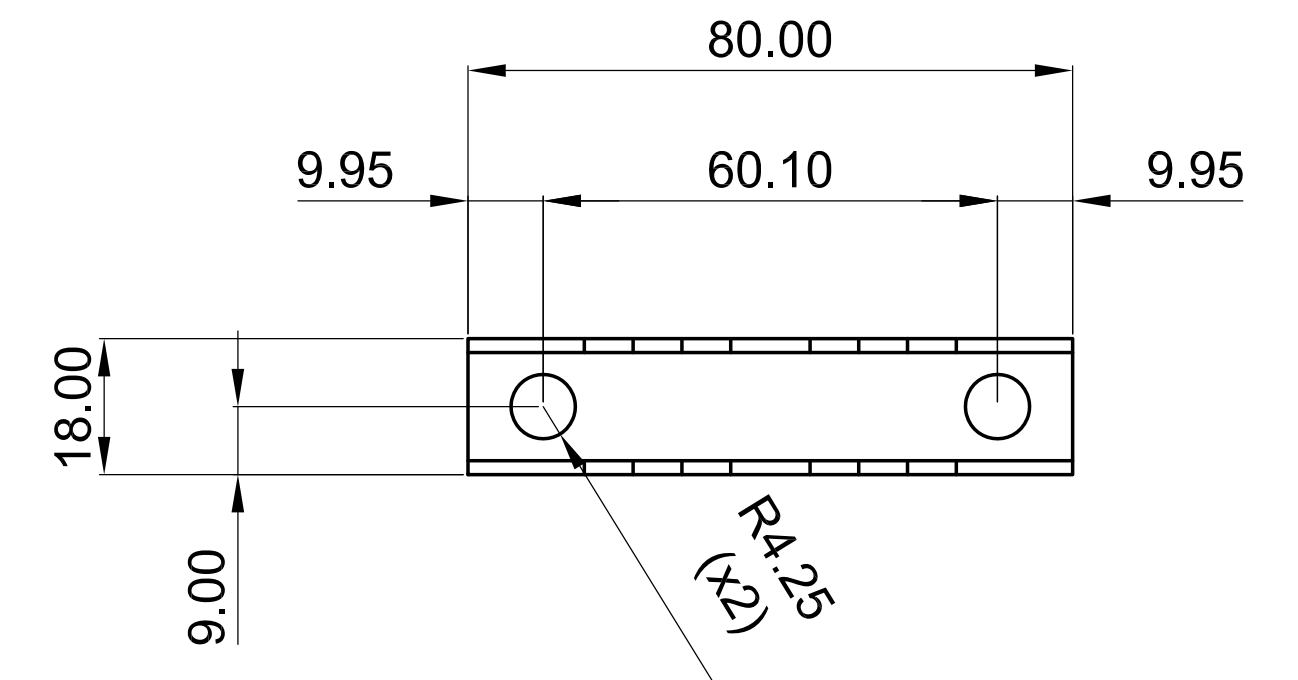
**SECTION A-A**



**MOUNTING PLATE**



**CLAMP**



NOTE: ALL DIMENSIONS ARE IN MILLIMETERS (mm)

**DOUBLE ANTENNA ANT-128-020**