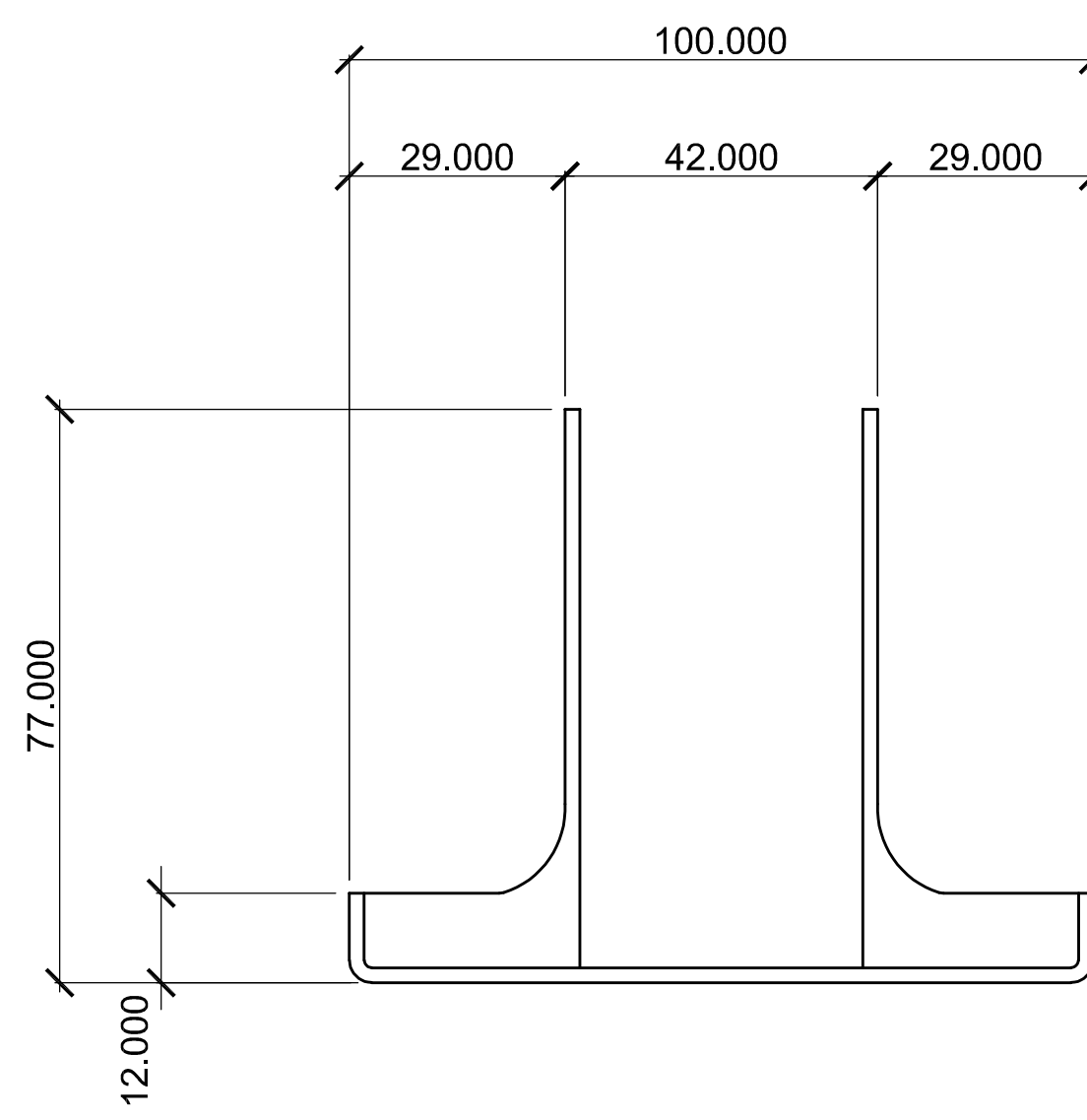
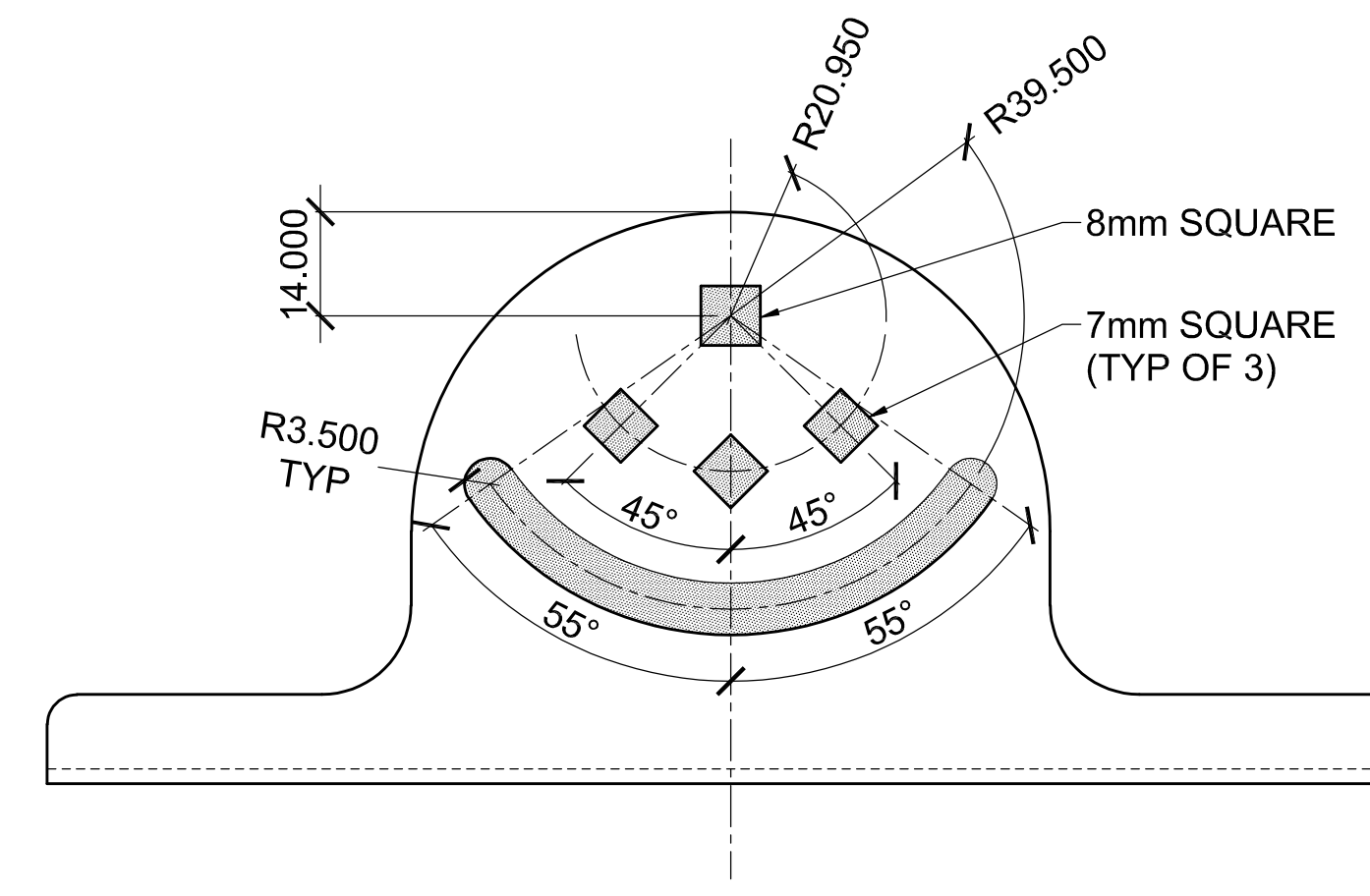


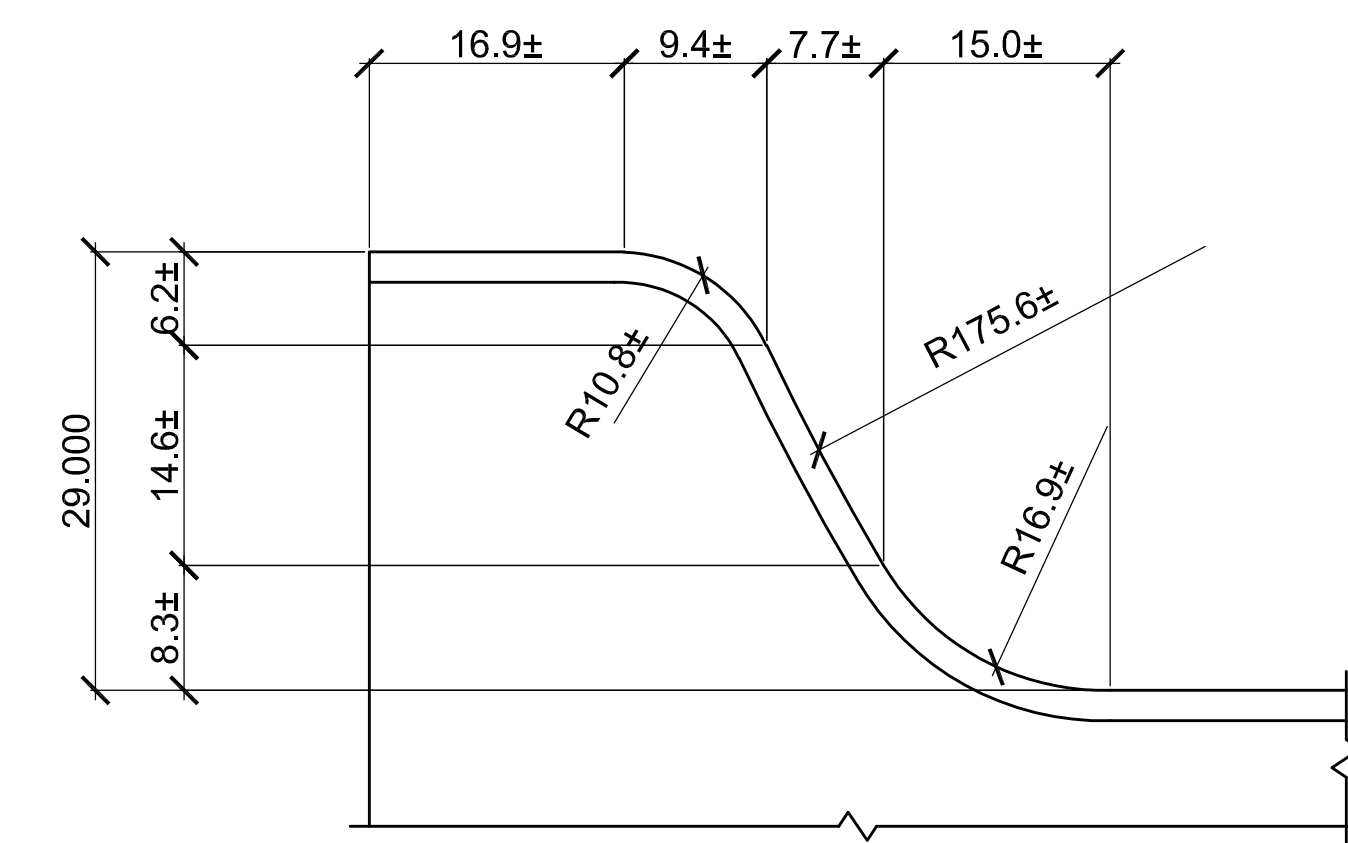
ELEVATION



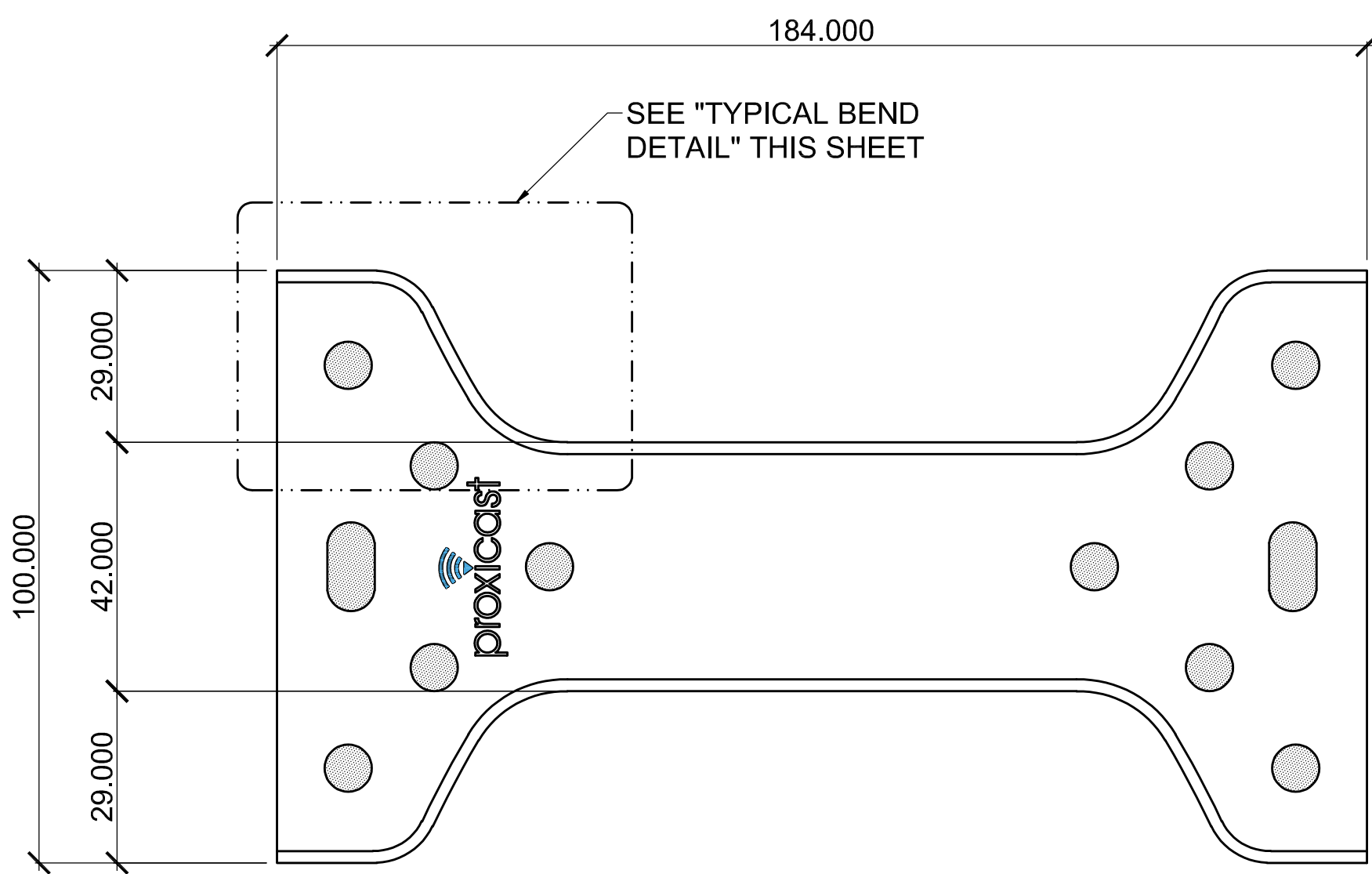
SIDE ELEVATION



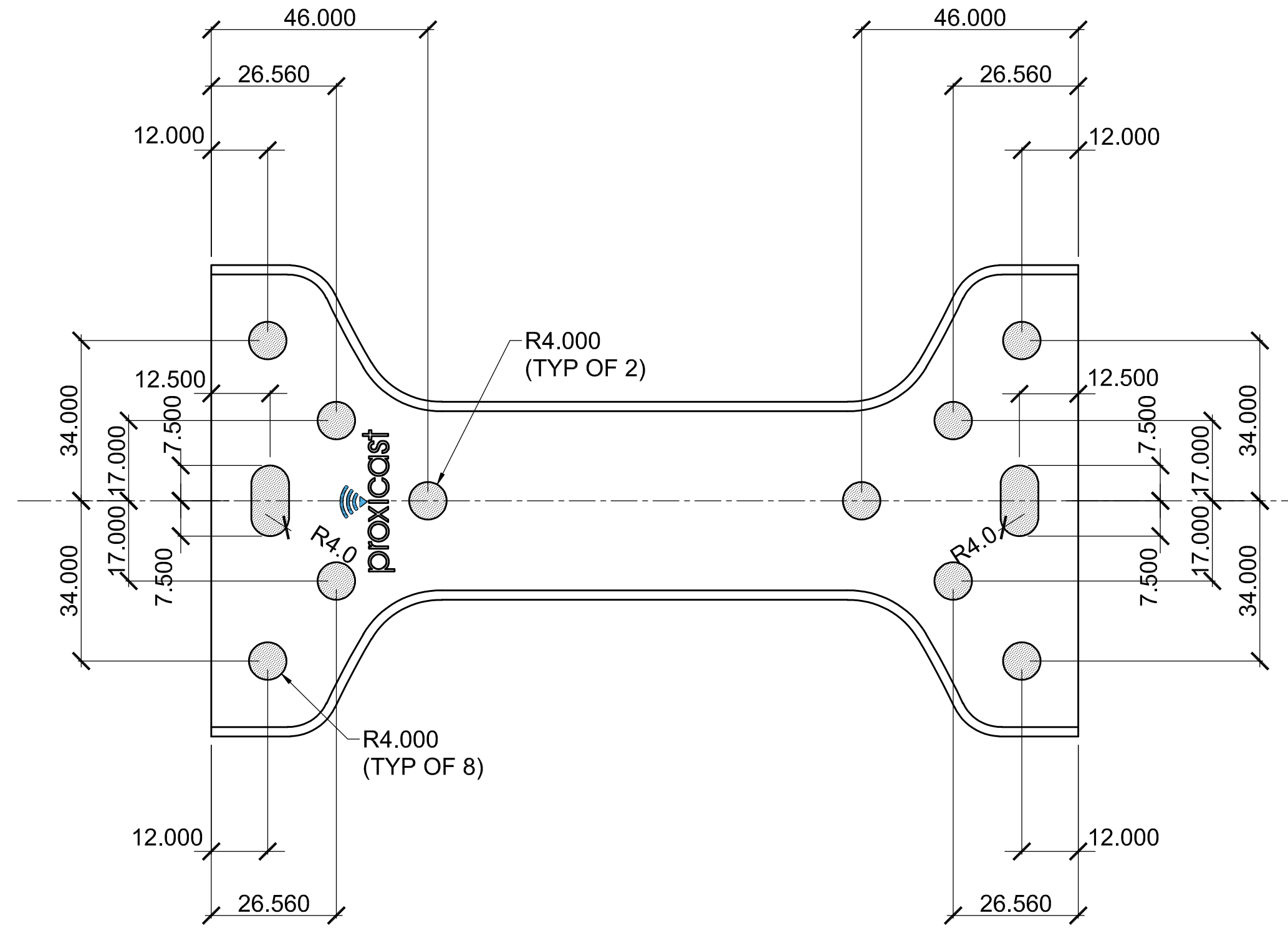
HOLE LOCATION ELEVATION



TYPICAL BEND DETAIL



ANTENNA MOUNTING BRACKET - PLAN



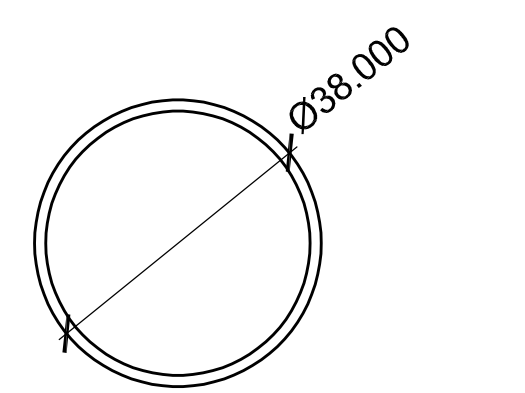
HOLE LOCATION PLAN

NOTE:
ALL MATERIAL SHALL BE AS FOLLOWS:
ANTENNA MOUNT 2mm THICK
 5053 ALUMINUM OR
 304 STAINLESS STEEL

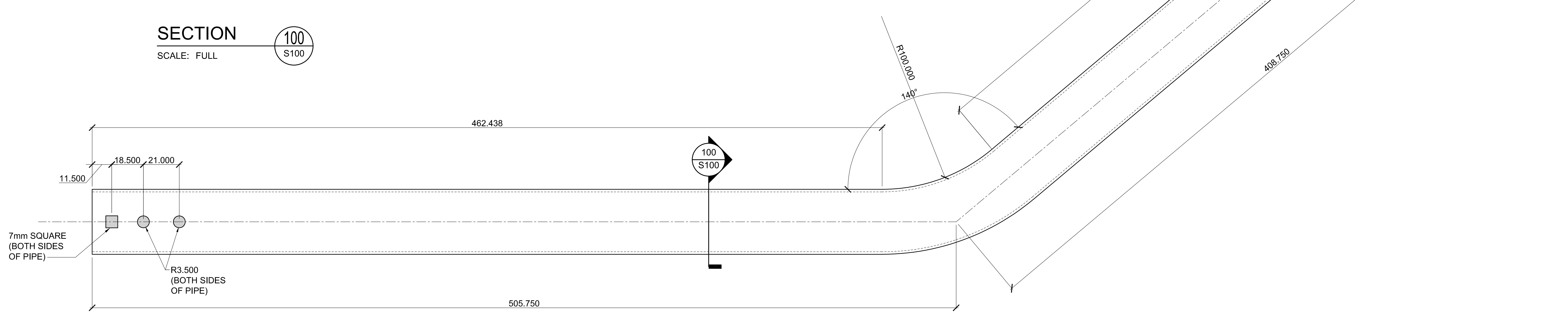
"J" POLE 2mm THICK
 5053 ALUMINUM OR
 304 STAINLESS STEEL

NUTS AND BOLTS 304 STAINLESS STEEL

NOTE:
DIMENSIONS NOTED AS (±) INDICATE THAT THE FINAL DIMENSION MAY BE EITHER SLIGHTLY SMALLER OR LARGER DEPENDING ON THE TOOL & DIE USED FOR THE STAMPING PROCESS. ALL OTHER DIMENSIONS NOTED ON THIS SHEET WITHOUT A (±) SHOULD BE STRICTLY ADHERED TO.



SECTION 100 S100 SCALE: FULL



ANTENNA "J" POLE - PLAN

TAYLOR & TAYLOR
CAD SERVICES
309 SUNNYFIELD DR.
GLENSHAW, PA
15116
(412) 486-5033

PROXICAST
312 Sunnyfield Drive
Suite 200
Glenshaw, PA
15116-1936
1-877-777-7694

Revisions			
No.	Date	By	Description

Date JANUARY 06, 2023
Drawing Name
ANTENNA MOUNTING BRACKET & "J" POLE XL

Project Number
Drawing Number
S100