

ANT-110-002

Adhesive Mount 4G/5G Omni-Directional Antenna



Applications

- Kiosks
- Vending Machines
- Digital Signage
- Video Surveillance
- Point-of-Sale Terminals
- SCADA / Telemetry / PLCs
- Covert installations



Product Features

- Extremely Low Profile ~ 0.22 in. high
- Adhesive Mount
- Weatherproof, Compact & Light-weight
- Vandal Resistant
- SMA Male Connector
- Compatible with all 4G/5G Cellular Networks
- Compatible with most Cellular Modems/Routers

Ordering Information

Part No.	Description
ANT-110-002-2PK	2 Pack of Ultra Low-Profile 4G/5G Omni-Directional 3.5 dBi Adhesive Mount Antenna with 6.6 ft coax & SMA male
ANT-110-003-2PK	2 Pack of Ultra Low-Profile 4G/5G Omni-Directional 3.5 dBi Adhesive Mount Antenna with 18 inch coax & SMA male

General Description

The Proxicast 4G/5G Universal Adhesive Blade is a unique cellular dipole antenna that provides medium-gain on all 4G (LTE / HSPA+) and sub-6 5G frequency bands (600-960/1710-6000 MHz) currently in use by cellular network operators such as Verizon Wireless, AT&T Wireless, T-Mobile, Rogers, Bell Mobility and Telus as well as most other cellular operators worldwide.

The flat “blade-shaped” 4G/5G antenna is 4.9 inches (125 mm) long and has an omni-directional radiation pattern that delivers up to 3.5 dBi of gain with an integrated ground-plane. The polycarbonate antenna has a strong 3M adhesive backing and an integrated SMA male plug connector which mates with the SMA female jack on many popular cellular modems and routers.

Designed for M2M applications such as vending machines, meter housings, equipment sheds, or other locations requiring an inconspicuous low-profile external antenna. Can also be vehicle mounted for buses, vans, trucks or other mobile installations. This antenna is an excellent general purpose cellular antenna suitable mounting on smooth metal, glass, plastic, stone or even wood surfaces.

For MIMO applications mount 2 identical antennas at least 22 inches apart.

ANT-110-002

Adhesive Mount 4G/5G Omni-Directional Antenna



Electrical Specifications

Parameter	Rating
Frequency Range	600-960 / 1710-6000 MHz
Peak Gain	3.5 dBi
VSWR (in band)	≤ 2.5:1
Input Impedance	50 Ohm
Polarization	Vertical
Max Input Power	60 W
Ground Plane	Not Required
DC Grounded	Yes

Mechanical Specifications

Parameter	Rating
Connector Type	SMA Male (plug)
Cable Length	0.5 m (18") or 2 m (6' 7") of low-loss HPP100 coax
Mounting	3M Adhesive Pad
Dimensions	0.22 in (5.6 mm) High 4.9 in (125 mm) Long 0.86 in (22 mm) Wide
Materials	Radome: UV stabilized polycarbonate plastic Connector: Brass 3M Adhesive Pad
Antenna Color	Black
Weight	1.5 oz (42.5 g) including coax
Operating Temperature	-50°C to +80°C

Operation of this device outside the parameter ranges given above may cause permanent damage.

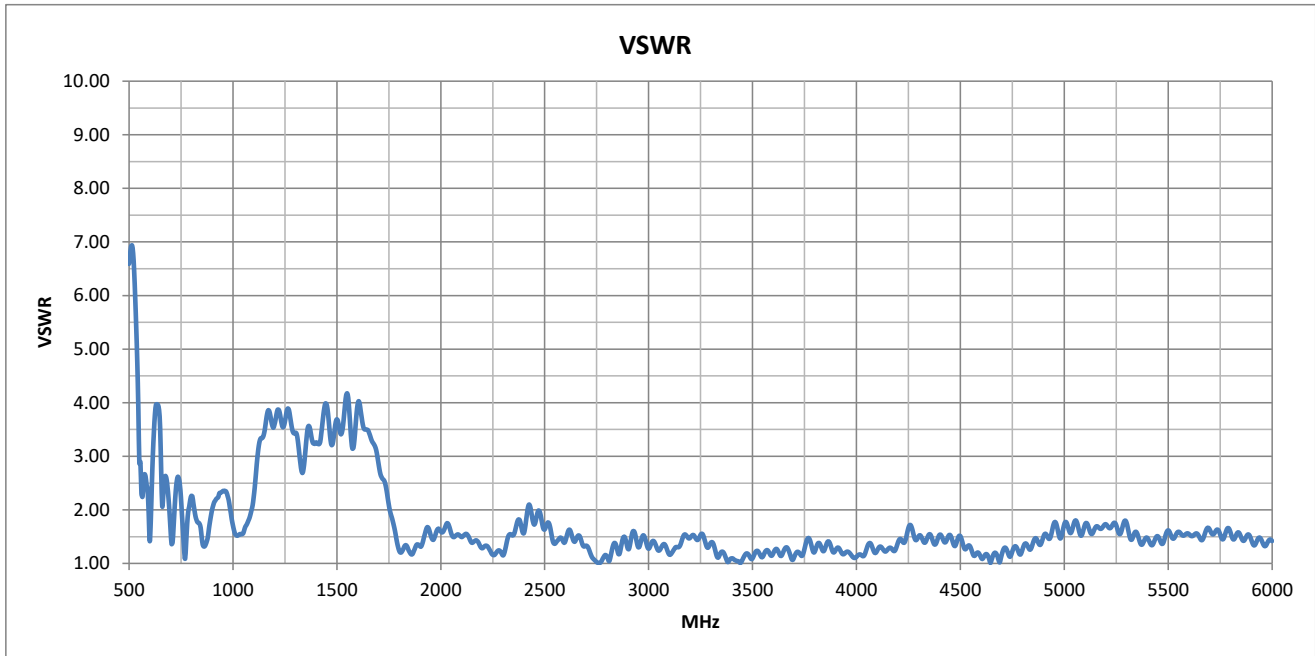
ANT-110-002

Adhesive Mount 4G/5G Omni-Directional Antenna



Characteristic Curve

VSWR



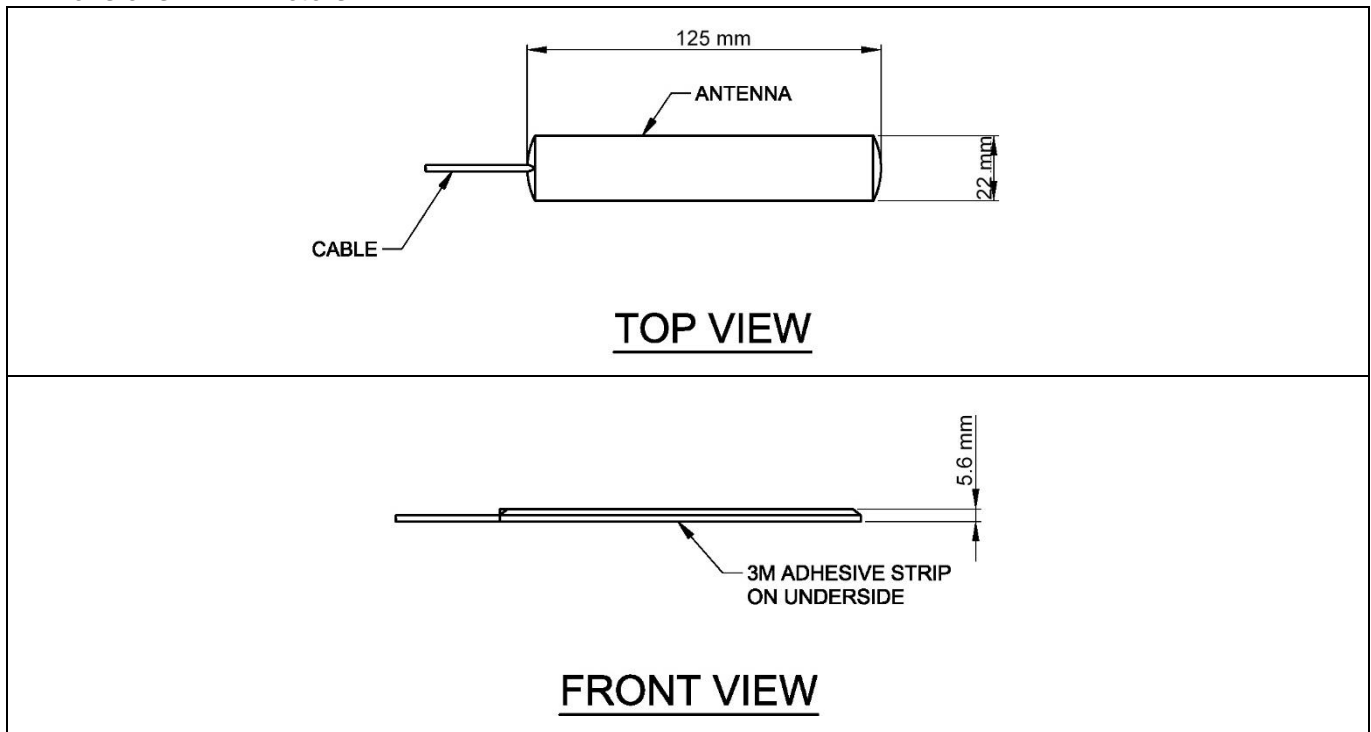
ANT-110-002

Adhesive Mount 4G/5G Omni-Directional Antenna



Mechanical Dimensions

Dimensions in millimeters



Product Images



ANT-110-002

Adhesive Mount 4G/5G Omni-Directional Antenna



Installation Instructions

- Position away from:
 - CRT/TVs
 - Lighting fixtures
 - Motors
 - Other wireless devices
 - Large vertical metal or concrete objects
 - Low-E or tinted/coated windows
- Apply to a clean, smooth surface
- Remove bottom plastic liner to expose adhesive
- Press antenna onto surface
- Attach SMA connector to cellular device

Contact Information

For the latest specifications, additional product information, worldwide sales and information about Proxicast:

Web: www.proxicast.com Tel: 1-877-777-7694

Email: sales@proxicast.com 1-412-213-2477

Proxicast • 312 Sunnyfield Drive, Suite 200 • Glenshaw, PA 15116 USA

For technical questions and application information:

Email: support@proxicast.com

Important Notice

The information contained herein is believed to be reliable. Proxicast makes no warranties regarding the information contained herein. Proxicast assumes no responsibility or liability whatsoever for any of the information contained herein. Proxicast assumes no responsibility or liability whatsoever for the use of the information contained herein. The information contained herein is provided "AS IS, WHERE IS" and with all faults, and the entire risk associated with such information is entirely with the user. All information contained herein is subject to change without notice.

The information contained herein or any use of such information does not grant, explicitly or implicitly, to any party any patent rights, licenses, or any other intellectual property rights, whether with regard to such information itself or anything described by such information. Proxicast products are not warranted or authorized for use as critical components in medical, life-saving, or life-sustaining applications, or other applications where a failure would reasonably be expected to cause severe personal injury or death.